

WASHER FLUID-LEVEL SENSOR

id091900103300

Purpose

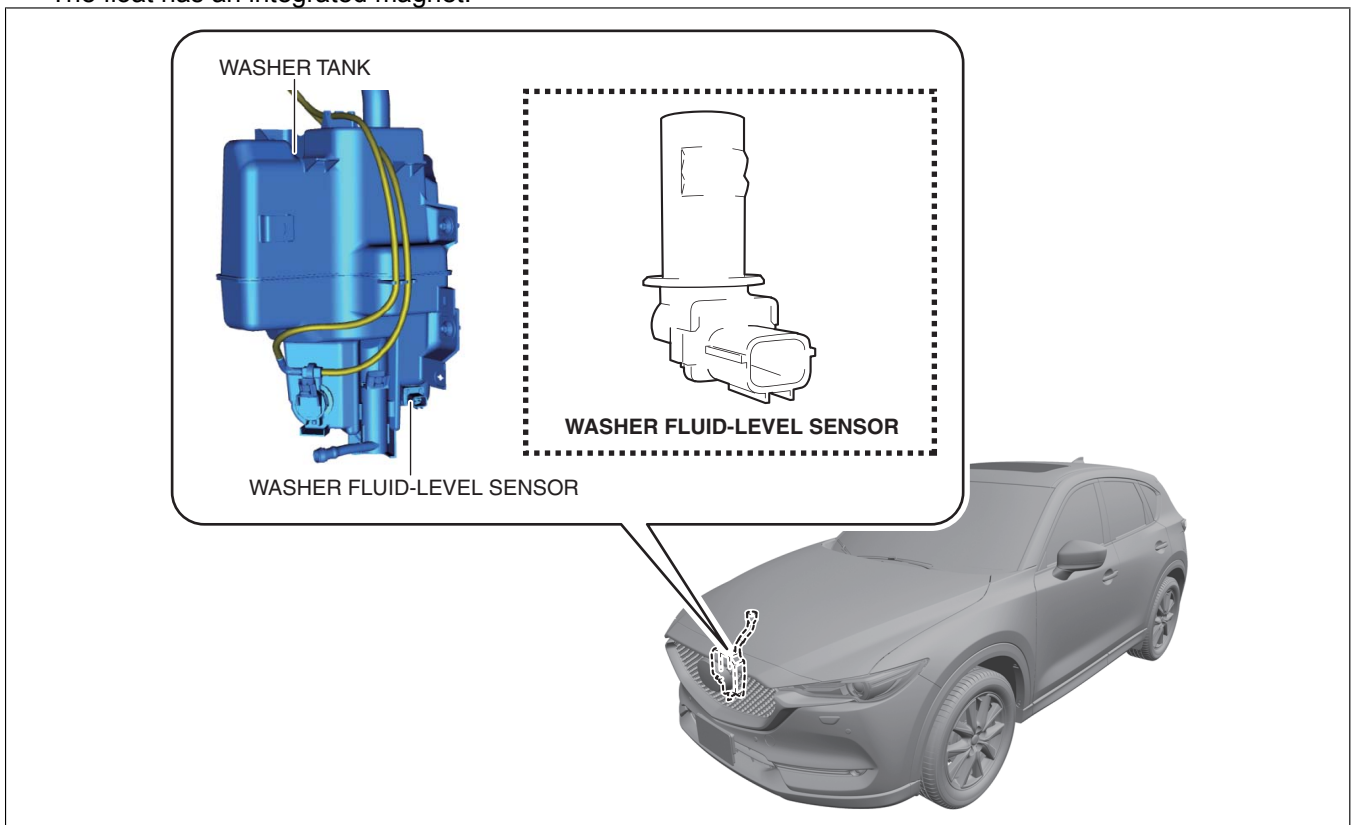
- The washer fluid-level sensor detects the washer fluid level in the washer tank.

Function

- When the washer fluid level in the washer tank decreases, the washer fluid-level sensor turns the switch on.

Structure/Construction

- The washer fluid-level sensor is located on the washer tank.
- The washer fluid-level sensor consists of the following parts:
 - Switch
 - Float
 - Grommet
 - Case
- The float has an integrated magnet.

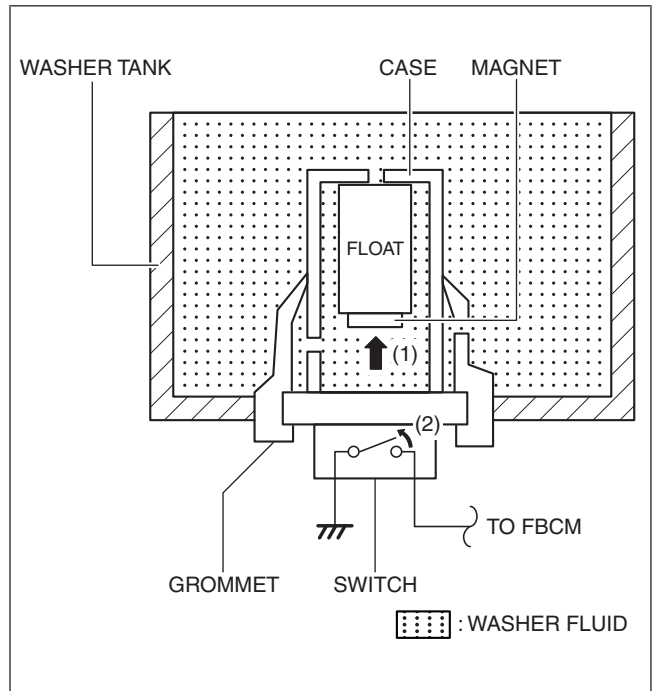


ac5uun00002659

Operation

Washer fluid is increased

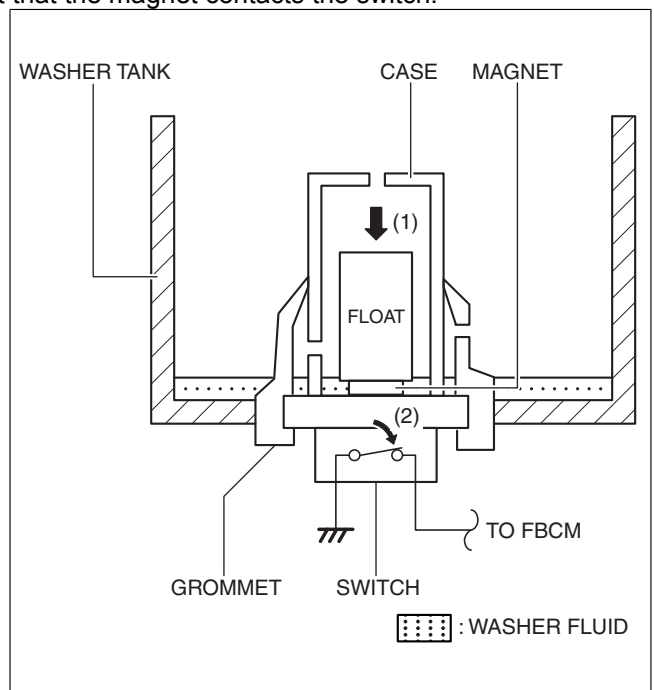
1. When washer fluid is increased in the washer tank, the float in the case rises (1).
2. The switch is separated from the magnet by the float increase and the switch turns off (2).



ac5uun00002660

Washer fluid decreases

1. When the washer fluid in the washer tank decreases, the float in the case lowers (1).
2. The switch turns on (2) by the float lowering to the point that the magnet contacts the switch.



ac5uun00002661

Fail-safe

- Not applicable