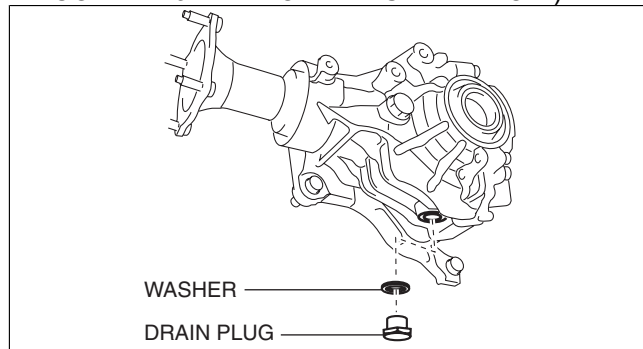


## TRANSFER OIL REPLACEMENT [C66MX-R, D66MX-R]

id0316g5800300

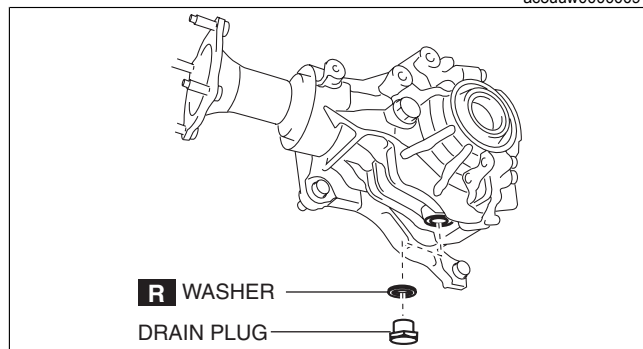
1. Removal the front under cover No.2. (See FRONT UNDER COVER No.2 REMOVAL/INSTALLATION.)
2. Remove the drain plug with the washer.
3. Drain the oil into a suitable container.



4. Tighten the drain plug with a new washer.

### Tightening torque

40—58 N·m {4.1—5.9 kgf·m, 30—42 ft·lbf}



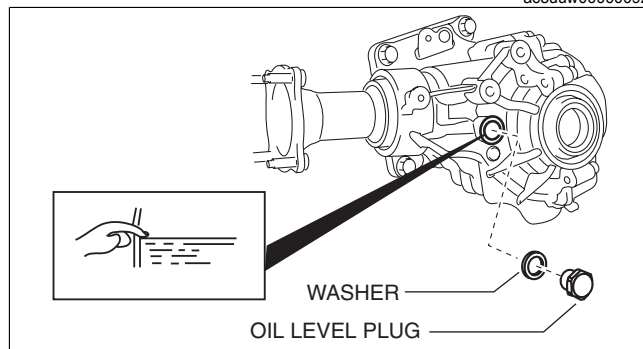
5. Remove the oil level plug with the washer and add the specified amount and type of oil through the oil level plug hole until the level reaches the bottom of the oil level plug hole.

### Transfer oil type

**MAZDA LONG LIFE HYPOID GEAR OIL SG1**

Transfer oil capacity (approx. quantity)

0.45 L {0.48 US qt, 0.40 Imp qt}



6. Tighten the oil level plug with a new washer.

### Tightening torque

40—58 N·m {4.1—5.9 kgf·m, 30—42 ft·lbf}

7. Install the front under cover No.2. (See FRONT UNDER COVER No.2 REMOVAL/INSTALLATION.)

