

# Installation Instructions

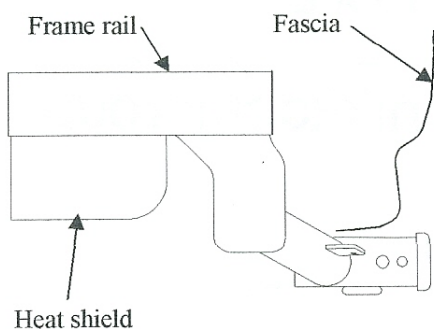
Mazda CX-9

Part Numbers:

75531

87438

44572



**Hitch Shown In Proper Position**

**Do Not Exceed Lower of Towing Vehicle  
Manufacturer's Rating or**

Hitch type	Max Gross Trailer WT (LB)	Max Tongue WT (LB)
Weight Distributing	4000 (1816 Kg)	400 (182 Kg)
Weight Carrying Ball Mount	4000 (1816 Kg)	400 (182 Kg)

**Equipment Required:**

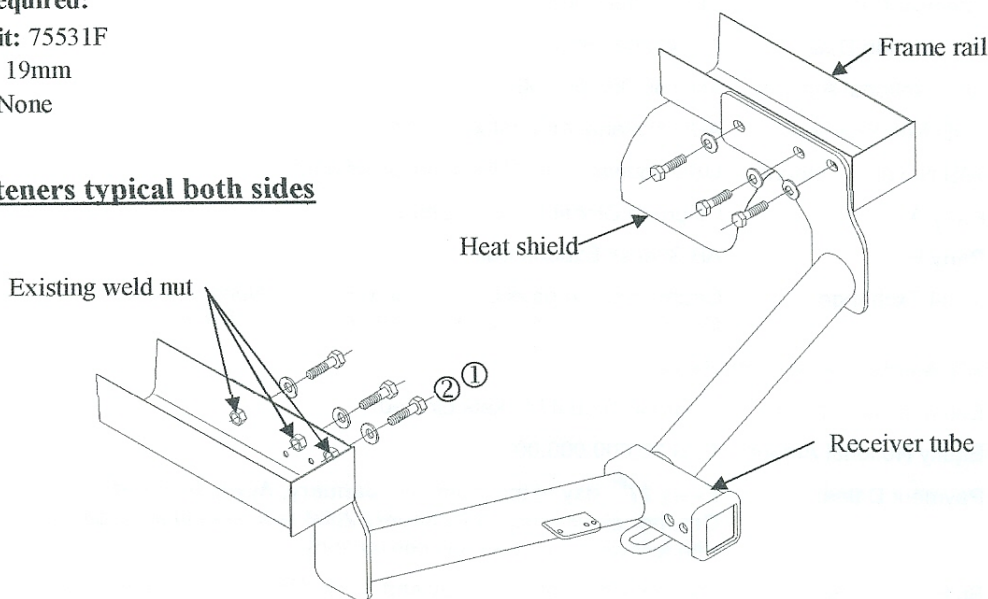
**Fastener Kit:** 75531F

**Wrenches:** 19mm

**Drill Bits:** None

**Wiring Access Location:**

**Fasteners typical both sides**



① Qty. (6) Hex bolt M12 X 1.25 X 25 CL 8.8

② Qty. (6) Conical Washer

1. Raise hitch into position between frame rails, pointing the receiver tube down and rotating it into position above the muffler and heat shield. Note: The hitch might touch the heat shield during installation.
2. Install fasteners as shown.
3. Push hitch rearward and tighten.

Tighten all M12 CL8.8 fasteners with torque wrench to 76 Lb.-Ft. (105 N\*M)

Note: check hitch frequently, making sure all fasteners and ball are properly tightened. If hitch is removed, plug all holes in trunk pan or other body panels to prevent entry of water and exhaust fumes. A hitch or ball which has been damaged should be removed and replaced. Observe safety precautions when working beneath a vehicle and wear eye protection. Do not cut access or attachment holes with a torch.

This product complies with safety specifications and requirements for connecting devices and towing systems of the state of New York, V.E.S.C. Regulation V-5 and SAE J684.