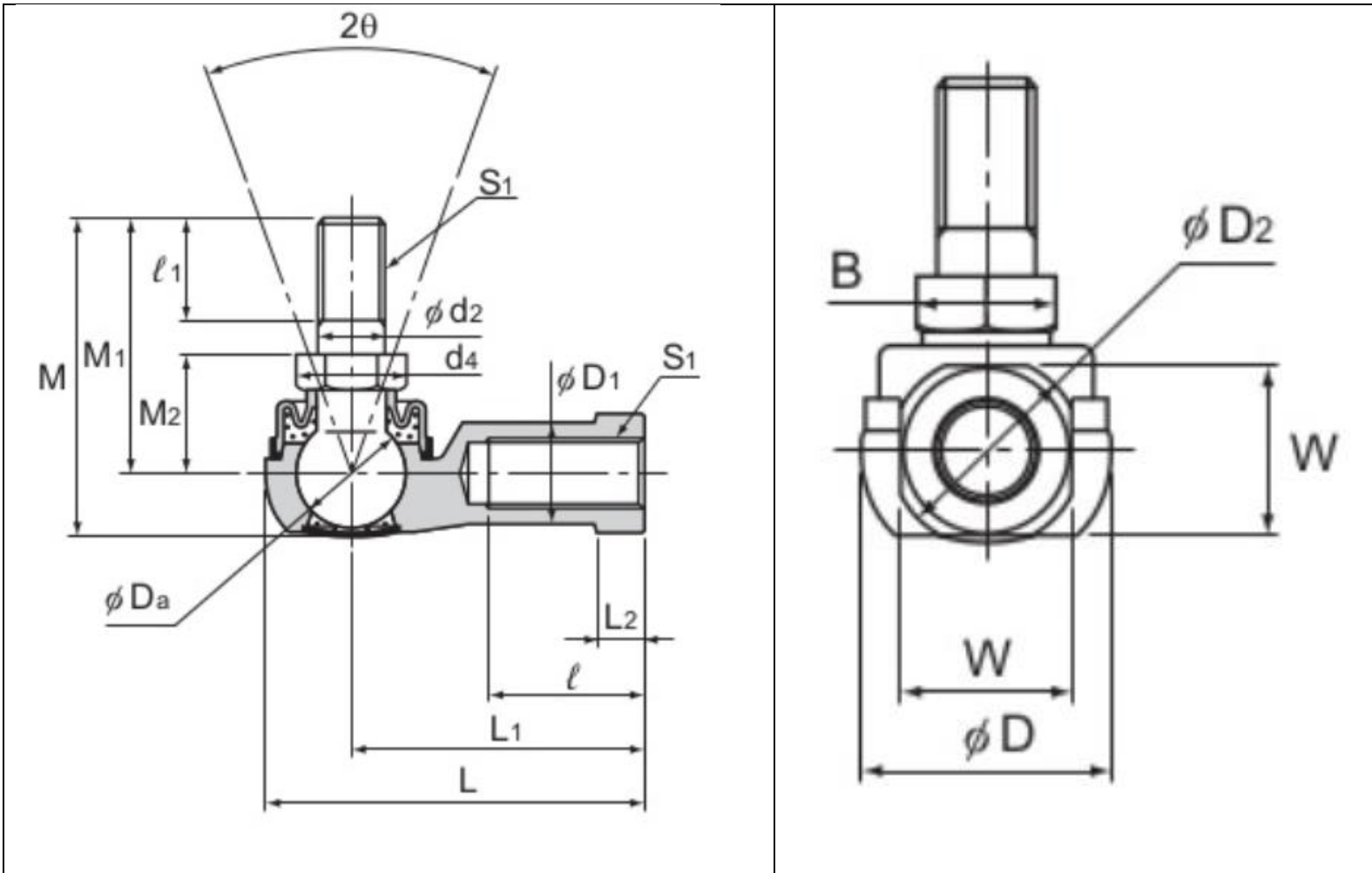


# Model BL and BL-A



Model No.	Outer dimensions			Threaded S <sub>1</sub>	Holder dimensions						Ball shank dimensions						Ball diameter D <sub>a</sub>	Permissible tilt angles 20°	Applied static load C <sub>s</sub>	Yield-point strength P <sub>s</sub>	Mass g
	Length	Diameter	Height		L <sub>1</sub>	ℓ	L <sub>2</sub>	D <sub>1</sub>	D <sub>2</sub>	W	d <sub>2</sub>	M <sub>1</sub>	M <sub>2</sub>	ℓ <sub>1</sub>	Hexagon B	d <sub>i</sub>					
	L	D	M	JIS Class 2					0 -0.3	h9		±0.3		0 -0.3							
BL 4DA	24.5	13	20	M4×0.7	18	8	4	7.5	9.5	8	4	15	7	6	7	8.1	7.938	40	4510	1370	7
BL 5DA	34.5	15	26.7	M5×0.8	27	15	4	9	12	10	5	21	10	8	8	9.2	9.525	40	6470	2250	12
BL 6D	38	16	32.6	M6×1	30	16	5	10	13	11	6	26	11	11	10	11.6	11.112	40	9900	3920	26
BL 8D	45.5	19	38.6	M8×1.25	36	19	6	12.5	16	14	8	31	14	12	12	13.8	12.7	40	12500	6570	49
BL 10D	55.5	25	46.3	M10×1.25	43	23	7	14.5	19	17	10	37	17	15	14	16.2	15.875	40	18300	11300	87
BL 10BD	55.5	25	52.3	M10×1.5	43	23	7	14.5	19	17	10	43	17	21	14	16.2	15.875	40	18300	11300	90
BL 12D	64.5	29	52.7	M12×1.25	50	26	8	17.5	22	19	12	42	19	17	17	19.6	19.05	40	26700	16400	143
BL 12BD	64.5	29	59.7	M12×1.75	50	26	8	17.5	22	19	12	49	19	24	17	19.6	19.05	40	26700	16400	148
BL 14D	74	34	68.4	M14×1.5	57	30	10	20	25	22	14	56	21.5	22	19	21.9	22.225	40	36400	19800	235
BL 14BD	74	34	74.4	M14×2	57	30	10	20	25	22	14	62	21.5	28	19	21.9	22.225	40	36400	19800	245
BL 16D	83	38	74	M16×1.5	64	34	11	22	27	24	16	60	23.5	23	22	25.4	22.225	30	36400	26900	315
BL 16BD	83	38	80	M16×2	64	34	11	22	27	24	16	66	23.5	29	22	25.4	22.225	30	36400	26900	325

Mazda5 Front End links:

Product	Qty	Unit Price	Sub total	Action
<b>BL12BD</b> <a href="#">BL12BD</a>	2	\$9.00 each	\$18.00	<a href="#">Recipients</a> <a href="#">Delete Item</a>
<b>BL12BDL</b> <a href="#">BL12BDL</a>	2	\$9.00 each	\$18.00	<a href="#">Recipients</a> <a href="#">Delete Item</a>
		Product Price	\$36.00	
		Product Tax	\$0.00	
			<u>\$36.00</u>	
		Delivery	\$0.00	
		Handling	\$0.00	
			<u>\$36.00</u>	
		<b>Order Total</b>	<b><u>\$36.00</u></b>	
		Remaining Balance	\$36.00	

Link Balls


THK BL 12BD (x2)




THK BL 12 BD L (x2)

-Note: CHEAPEST SHIPPING is \$16.91!!

TOTAL: 36+16.91 = 52.91

**Shopping Cart** Display Currency:

 **Shipping from Bushnell, IL, USA**

Remove	Part	Quantity	Price	Extension
<input type="checkbox"/>	 <b>TR12-280</b> Rod, Threaded M12 x 1.75	<input type="text" value="2"/>	USD \$6.22	USD \$12.44
<input type="checkbox"/>	 <b>Nut, Jam, M12 x 1.75 LH, Class 8, ZY</b> Nuts	<input type="text" value="2"/>	USD \$4.99	USD \$9.98
<input type="checkbox"/>	 <b>Nut, Jam, M12 x 1.75 RH, Class 10.9, ZC</b> Nuts	<input type="text" value="2"/>	USD \$4.61	USD \$9.22

**Update**   **Shipping Weight:** 1.21 lb  
**Subtotal: USD \$31.64**

Ridged Rod (MCP)

TR12-280 (LH/RH)

-Note: M12 x 280 mm (~11"), stock is 12" but YS body is lower by ~1".

Jam Nuts (MCP)

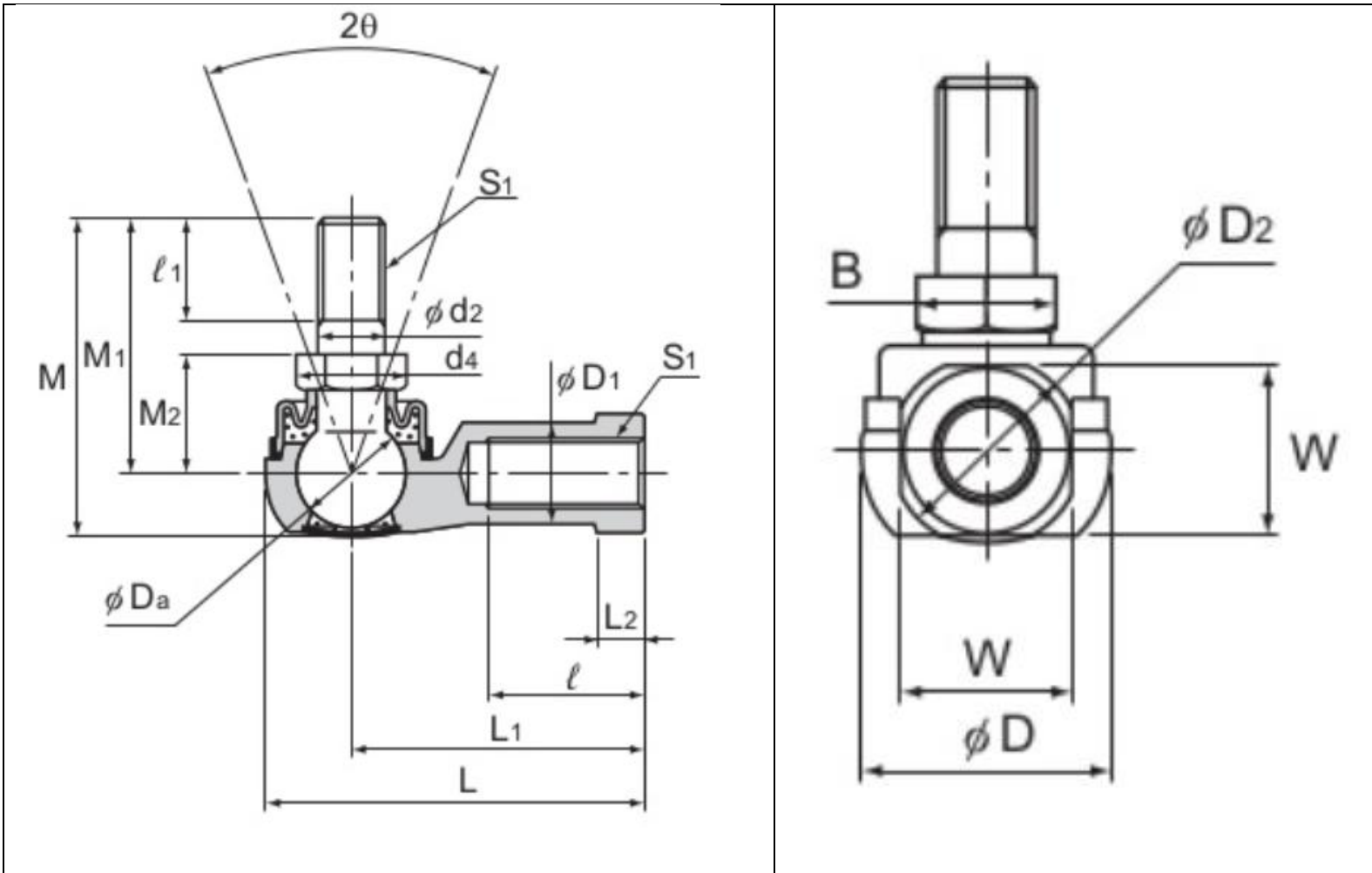
M12x1.75 LH (x2)

M12x1.75 RH (x2)

-Note: Cheapest shipping = 14.33!

TOTAL: 31.64+14.33 = 45.97

# Model BL and BL-A



Model No.	Outer dimensions			Threaded S <sub>1</sub>	Holder dimensions						Ball shank dimensions						Ball diameter D <sub>a</sub>	Permissible tilt angles 20°	Applied static load C <sub>s</sub>	Yield-point strength P <sub>s</sub>	Mass g
	Length	Diameter	Height		L <sub>1</sub>	ℓ	L <sub>2</sub>	D <sub>1</sub>	D <sub>2</sub>	W	d <sub>2</sub>	M <sub>1</sub>	M <sub>2</sub>	ℓ <sub>1</sub>	Hexagon B	d <sub>i</sub>					
	L	D	M	JIS Class 2					0 -0.3	h9		±0.3		0 -0.3							
BL 4DA	24.5	13	20	M4×0.7	18	8	4	7.5	9.5	8	4	15	7	6	7	8.1	7.938	40	4510	1370	7
BL 5DA	34.5	15	26.7	M5×0.8	27	15	4	9	12	10	5	21	10	8	8	9.2	9.525	40	6470	2250	12
BL 6D	38	16	32.6	M6×1	30	16	5	10	13	11	6	26	11	11	10	11.6	11.112	40	9900	3920	26
BL 8D	45.5	19	38.6	M8×1.25	36	19	6	12.5	16	14	8	31	14	12	12	13.8	12.7	40	12500	6570	49
BL 10D	55.5	25	46.3	M10×1.25	43	23	7	14.5	19	17	10	37	17	15	14	16.2	15.875	40	18300	11300	87
BL 10BD	55.5	25	52.3	M10×1.5	43	23	7	14.5	19	17	10	43	17	21	14	16.2	15.875	40	18300	11300	90
BL 12D	64.5	29	52.7	M12×1.25	50	26	8	17.5	22	19	12	42	19	17	17	19.6	19.05	40	26700	16400	143
BL 12BD	64.5	29	59.7	M12×1.75	50	26	8	17.5	22	19	12	49	19	24	17	19.6	19.05	40	26700	16400	148
BL 14D	74	34	68.4	M14×1.5	57	30	10	20	25	22	14	56	21.5	22	19	21.9	22.225	40	36400	19800	235
BL 14BD	74	34	74.4	M14×2	57	30	10	20	25	22	14	62	21.5	28	19	21.9	22.225	40	36400	19800	245
BL 16D	83	38	74	M16×1.5	64	34	11	22	27	24	16	60	23.5	23	22	25.4	22.225	30	36400	26900	315
BL 16BD	83	38	80	M16×2	64	34	11	22	27	24	16	66	23.5	29	22	25.4	22.225	30	36400	26900	325

Mazda5 Front End links:

Product	Qty	Unit Price	Sub total	Action
<b>BL12BD</b> <a href="#">BL12BD</a>	2	\$9.00 each	\$18.00	<a href="#">Recipients</a> <a href="#">Delete Item</a>
<b>BL12BDL</b> <a href="#">BL12BDL</a>	2	\$9.00 each	\$18.00	<a href="#">Recipients</a> <a href="#">Delete Item</a>
		Product Price	\$36.00	
		Product Tax	\$0.00	
			<u>\$36.00</u>	
		Delivery	\$0.00	
		Handling	\$0.00	
			<u>\$36.00</u>	
		<b>Order Total</b>	<b><u>\$36.00</u></b>	
		Remaining Balance	\$36.00	

Link Balls


THK BL 12BD (x2)




THK BL 12 BD L (x2)

-Note: CHEAPEST SHIPPING is \$16.91!!

TOTAL: 36+16.91 = 52.91

**Shopping Cart** Display Currency:

 **Shipping from Bushnell, IL, USA**

Remove	Part	Quantity	Price	Extension
<input type="checkbox"/>	 <b>TR12-280</b> Rod, Threaded M12 x 1.75	<input type="text" value="2"/>	USD \$6.22	USD \$12.44
<input type="checkbox"/>	 <b>Nut, Jam, M12 x 1.75 LH, Class 8, ZY</b> Nuts	<input type="text" value="2"/>	USD \$4.99	USD \$9.98
<input type="checkbox"/>	 <b>Nut, Jam, M12 x 1.75 RH, Class 10.9, ZC</b> Nuts	<input type="text" value="2"/>	USD \$4.61	USD \$9.22

**Update**   **Shipping Weight:** 1.21 lb  
**Subtotal: USD \$31.64**

Ridged Rod (MCP)

TR12-280 (LH/RH)

-Note: M12 x 280 mm (~11"), stock is 12" but YS body is lower by ~1".

Jam Nuts (MCP)

M12x1.75 LH (x2)

M12x1.75 RH (x2)

-Note: Cheapest shipping = 14.33!

TOTAL: 31.64+14.33 = 45.97