

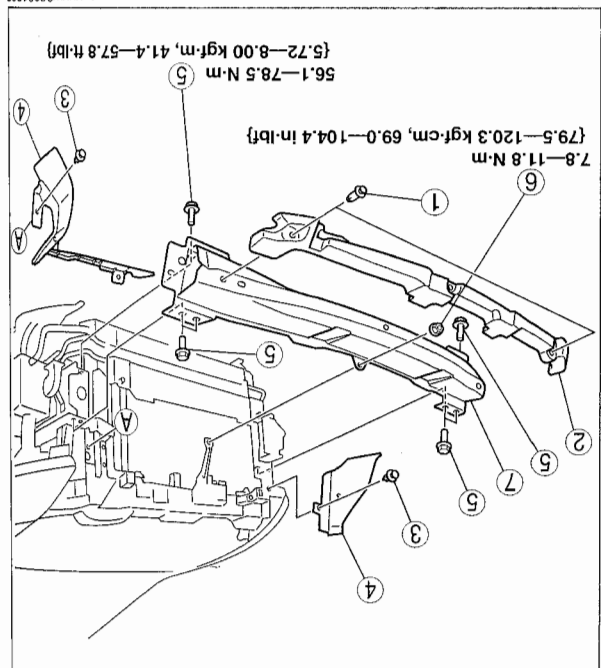
BODY PANELS

FRONT BUMPER REINFORCEMENT REMOVAL/INSTALLATION

1. Disconnect the negative battery cable.
2. Remove the front bumper. (See 09-10-2 FRONT BUMPER REMOVAL/INSTALLATION.)
3. Remove in the order indicated in the table.

1	Fastener A
2	Front energy-absorbing foam
3	Fastener B
4	Seal plate
5	Bolt A
6	Bolt B
7	Front bumper reinforcement

4. Install in the reverse order of removal.

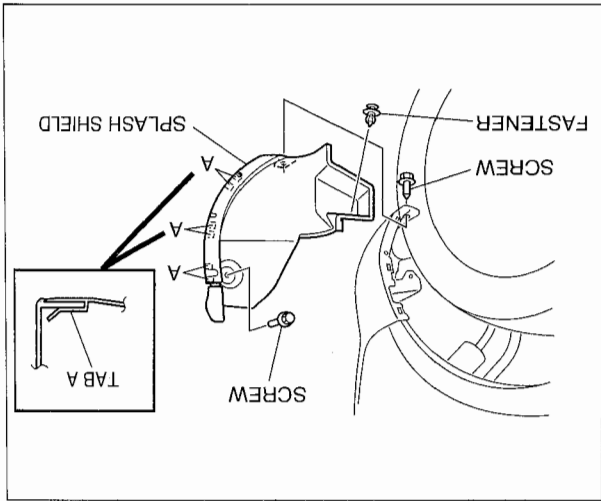


1D09100900500

acxuuw0001309

REAR BUMPER REMOVAL/INSTALLATION

1. Disconnect the negative battery cable.
2. Remove the rear combination light. (See 09-18-11 REAR COMBINATION LIGHT REMOVAL/INSTALLATION.)
3. Remove the screw and fastener.
4. Splash shield, detach tabs A, and then remove the splash shield.



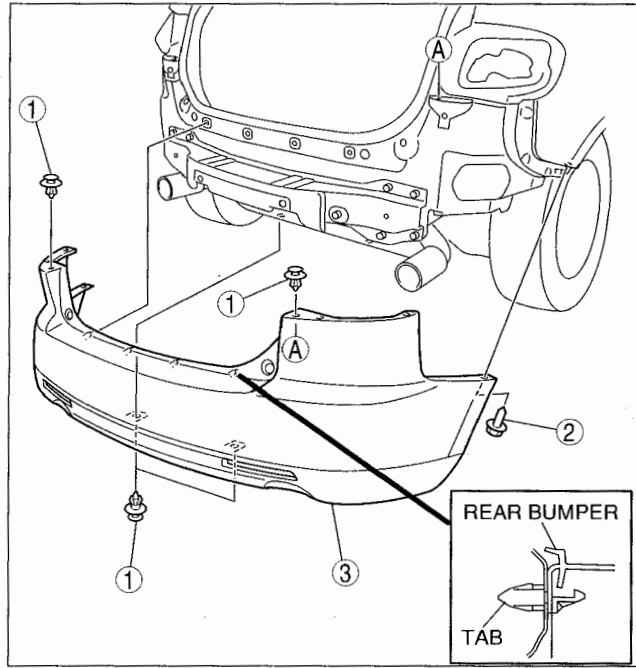
acxuuw0001310

BODY PANELS

Remove in the order indicated in the table.

1	Fastener
2	Screw
3	Rear bumper (See 09-10-5 Rear Bumper Removal Note) (See 09-10-5 Rear Bumper Installation Note)

Install in the reverse order of removal.



acxuuw00001311

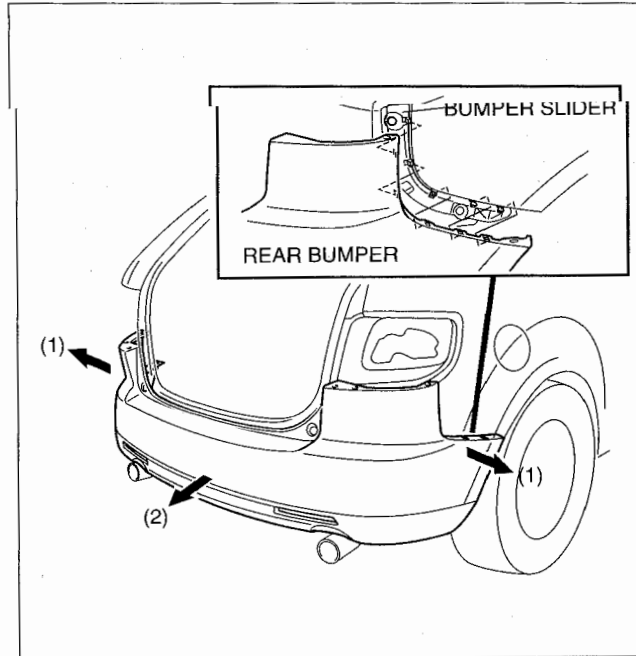
Rear Bumper Removal Note

Pull the rear bumper ends (wheel arch) outward (1) to disengage from the bumper slider.

Caution

- When disengaging the rear bumper from the bumper slider, the rear bumper could fall and be damaged. Secure the rear bumper so that it does not fall.

Remove the rear bumper (2).



acxuuw00001312

09-10

Rear Bumper Installation Note

- Spread the rear bumper ends apart.
- Assemble the rear bumper to the body.
- Press the rear bumper connecting area into the body to engage with the bumper slider.

BODY PANELS

REAR BUMPER DISASSEMBLY/ASSEMBLY

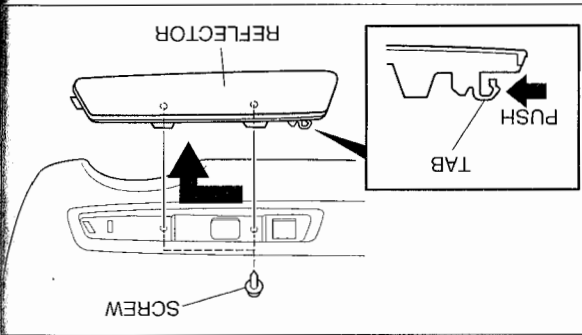
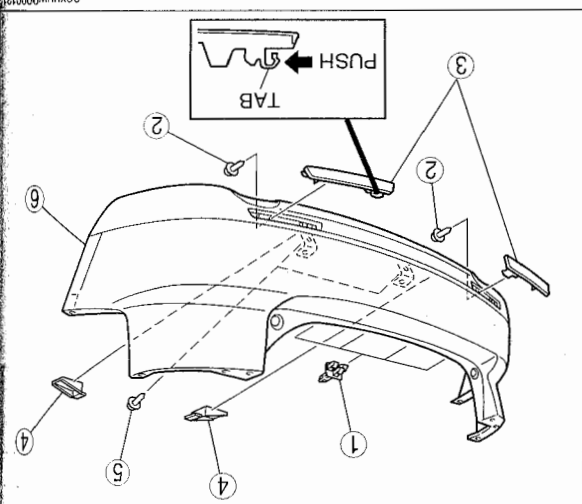
1. Disassemble in the order indicated in the table.

1	Locator pin
2	Screw A
3	Rear reflector (See 09-10-6 Reflector Removal Note)
4	Bumper guard
5	Screw B
6	Rear bumper fascia

2. Assemble in the reverse order of disassembly.

Reflector Removal Note

1. Remove the screw.
2. Pull off the reflector from the rear bumper in the direction shown by the arrow.



REAR BUMPER REINFORCEMENT REMOVAL/INSTALLATION

1. Disconnect the negative battery cable.
2. Remove the rear combination light. (See 09-18-5 FRONT COMBINATION LIGHT REMOVAL/INSTALLATION.)
3. Remove the rear bumper. (See 09-10-4 REAR BUMPER REMOVAL/INSTALLATION.)
4. Remove the fasteners, then remove the energy-absorbing foam.
5. Remove the nuts, then remove the rear bumper reinforcement.
6. Install in the reverse order of removal.

