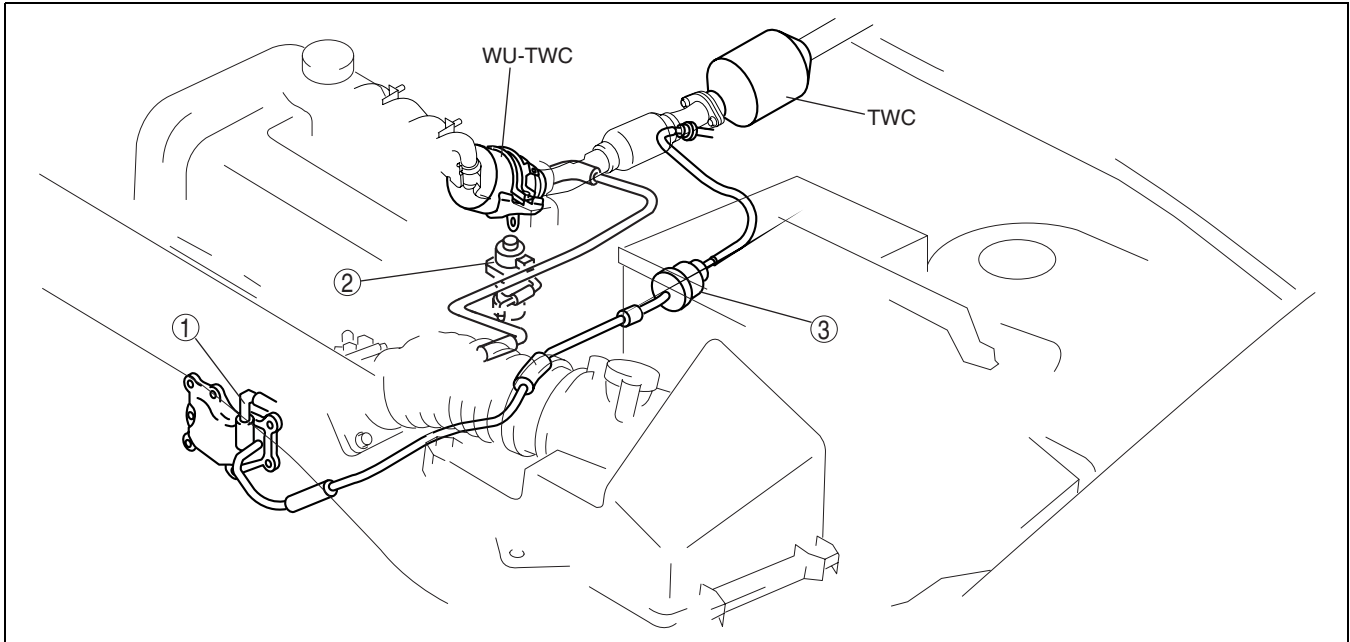


EMISSION SYSTEM [L8, LF]

EMISSION SYSTEM STRUCTURAL VIEW [L8, LF]

Engine Compartment Side

DPE01160000T02



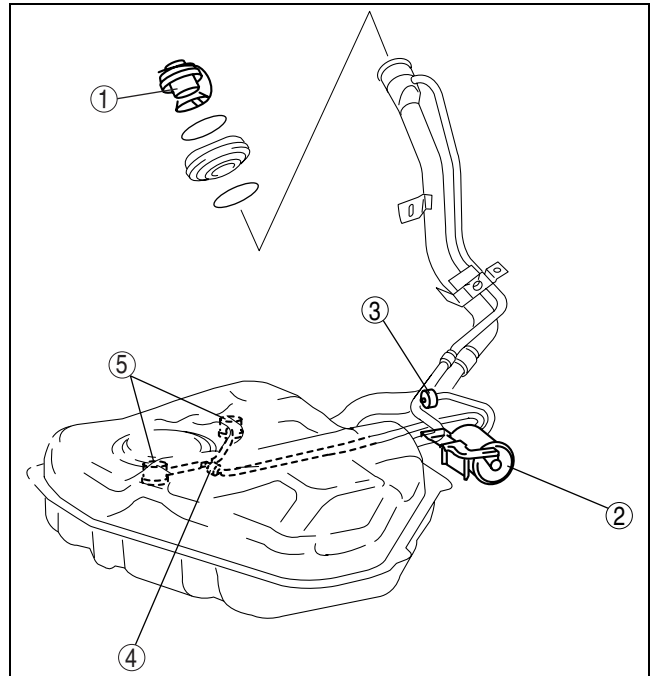
DPE116AT2601

1	Positive crankcase ventilation (PCV) valve
2	EGR valve

3	Purge solenoid valve
---	----------------------

Fuel Tank Side

1	Fuel-filler cap
2	Charcoal canister
3	Evaporative chamber
4	Check valve (two-way)
5	Rollover valve



DPE01162T2001

EXHAUST PURIFICATION SYSTEM OUTLINE [L8, LF]

DPE011600010T01

Feature

- The EGI system (fuel injection control, ignition control) burns fuel supplied to the engine at the theoretical air/fuel ratio for improved purification efficiency of the catalytic converter system.