

## GLASS/WINDOWS/MIRRORS

### EXTERIOR OPEN/CLOSE FUNCTION OUTLINE

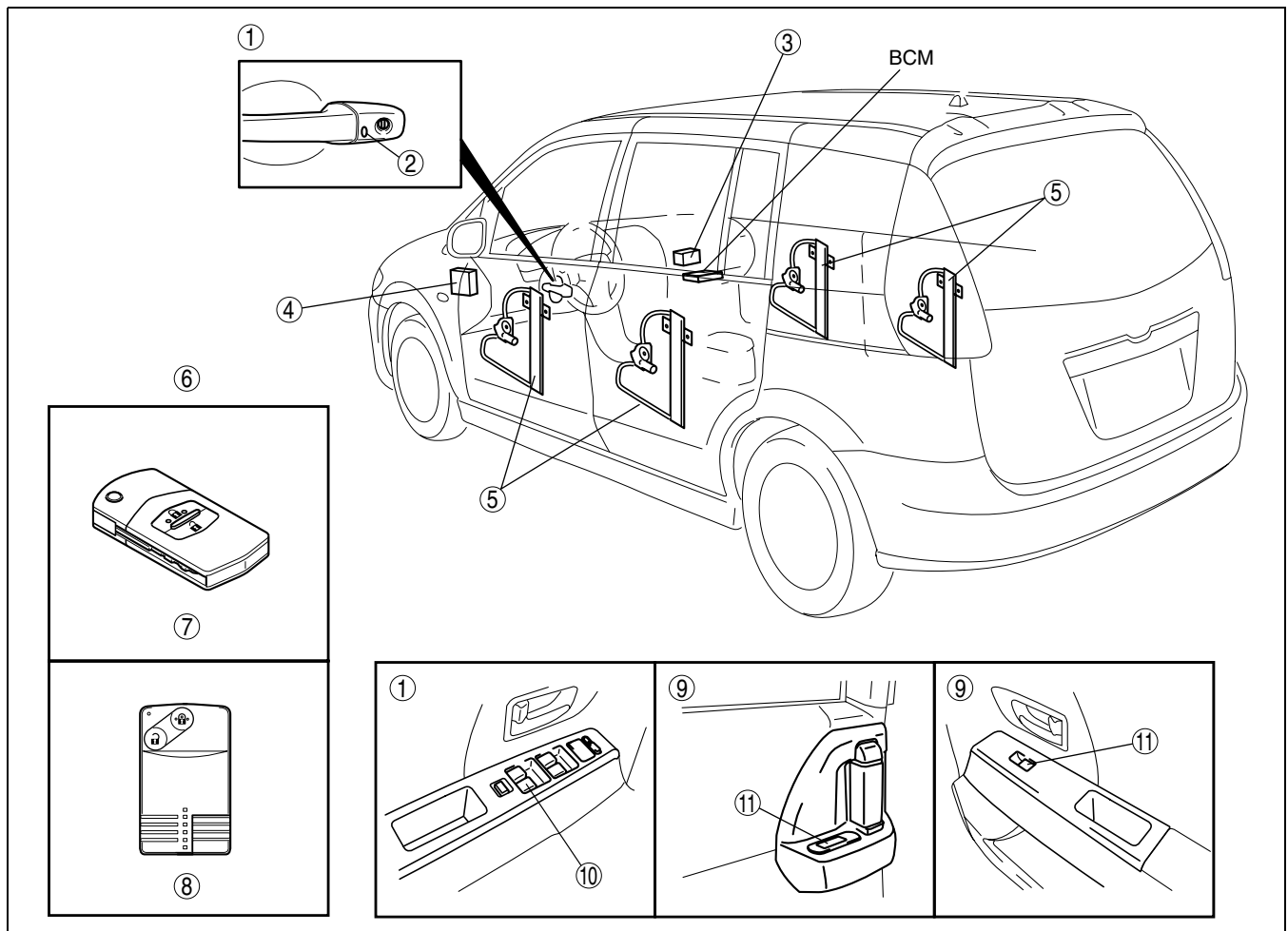
DPE09125800T08

- A exterior open/close function has been adopted so that the power window system can be operated from outside the vehicle.
- This function can operate in conjunction with the following:
  - Transmitter
  - Driver-side request switch (with advanced keyless system, close operation only)
- An auto reverse pinch protection function operates if the door glass is obstructed during close operation.

Operation item	Open operation (Automatic open)	Close operation (Manual close)
Transmitter	UNLOCK button operation (long press, approx. 1.5 s or more)	LOCK button operation (long press, approx. 1.5 s or more)
Request switch (With advanced keyless system)	—	Long press, approx. 1.5 s or more

### EXTERIOR OPEN/CLOSE FUNCTION STRUCTURAL VIEW

DPE09125800T09



DPE912ZT1203

1	Driver's side
2	Request switch (*1)
3	Keyless receiver
4	Keyless control module (*1)
5	Power window regulator/motor
6	Transmitter

7	With keyless entry system
8	With advanced keyless system
9	Except driver's side
10	Power window main switch
11	Power window subswitch

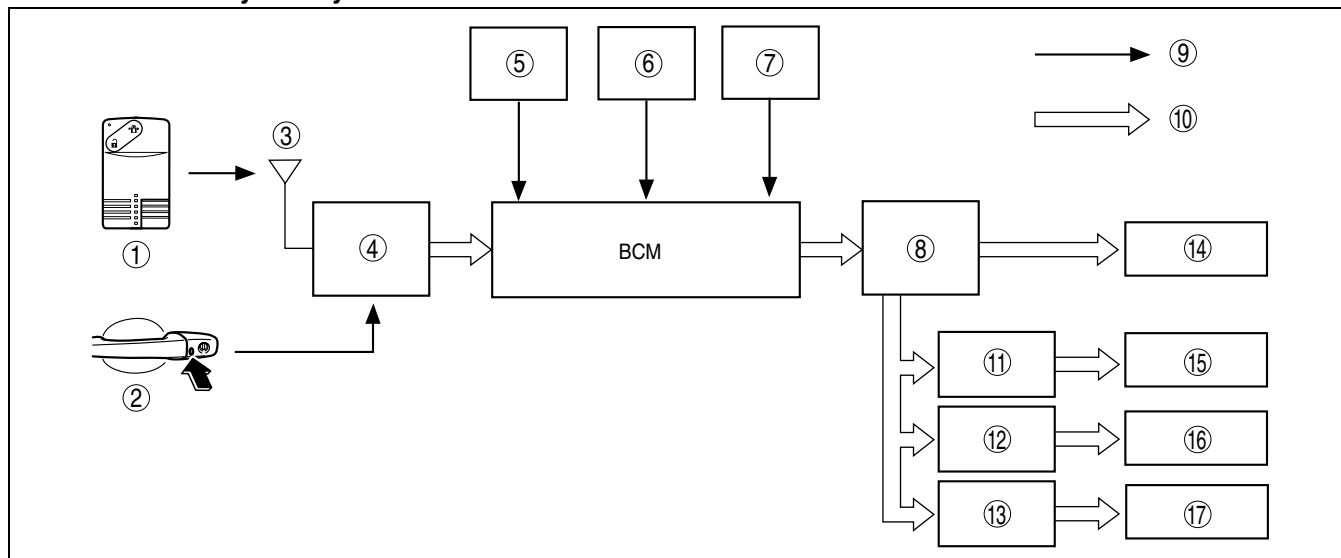
\*1 : With advanced keyless system

# GLASS/WINDOWS/MIRRORS

## EXTERIOR OPEN/CLOSE FUNCTION BLOCK DIAGRAM

DPE09125800T10

### With Advanced Keyless System

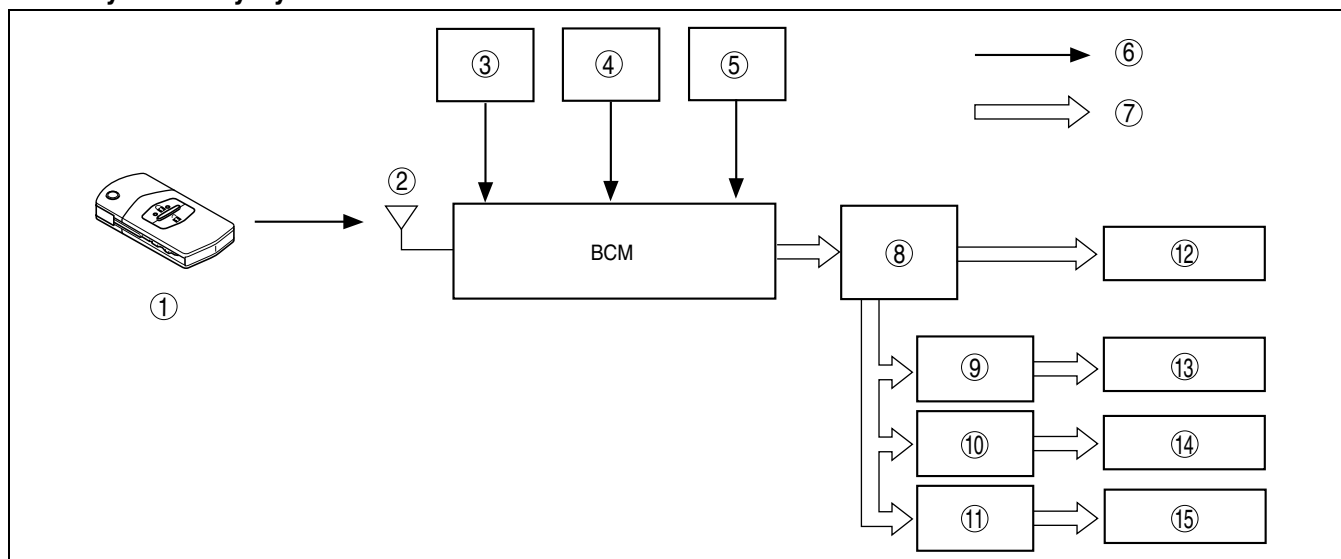


DPE912ZT1204

1	Transmitter
2	Request switch (driver's side)
3	Keyless receiver
4	Keyless control module
5	Door switch
6	Push switch / Keyless switch
7	Cargo compartment light switch
8	Power window main switch
9	Input signal

10	Control signal
11	Power window subswitch (RF)
12	Power window subswitch (LR)
13	Power window subswitch (RR)
14	Power window motor (LF)
15	Power window motor (RF)
16	Power window motor (LR)
17	Power window motor (RR)

### With Keyless Entry System



DPE912ZT1205

1	Transmitter
2	Keyless receiver
3	Door switch
4	Keyless switch
5	Cargo compartment light switch
6	Input signal
7	Control signal

8	Power window main switch
9	Power window subswitch (RF)
10	Power window subswitch (LR)
11	Power window subswitch (RR)
12	Power window motor (LF)
13	Power window motor (RF)
14	Power window motor (LR)

## GLASS/WINDOWS/MIRRORS

15	Power window motor (RR)
----	-------------------------

### EXTERIOR OPEN/CLOSE FUNCTION OPERATION

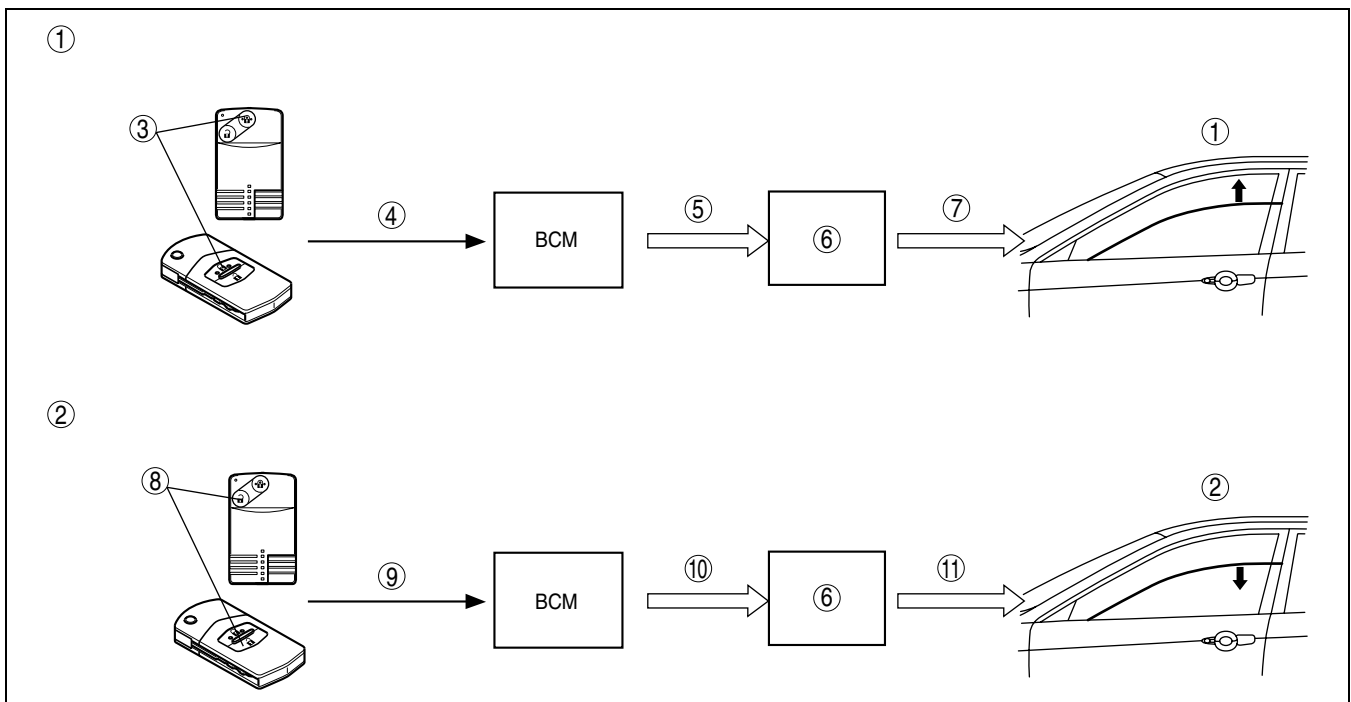
DPE09125800T11

- With the function, all door glass can open/close in conjunction with the UNLOCK/LOCK operation of the transmitter, and request switch (with advanced keyless system).
- One opening operation fully opens (automatic open) all door glass, and close operation operates only when the operation (manual close) is being performed.
- During IG OFF timer operation (power window system operates approx. 40 s after IG OFF), the power window switch operation has priority over the exterior open/close function.
- Auto reverse pinch protection operation has priority when the door glass is obstructed during close operation.
- The BCM sends the signal requiring the open/close operation to the power window control module (power window main switch) based on the signals input from the switches.
- The power window control module (power window main switch) sends open/close operation signal to the power window motor based on the required signal, and operates the door glass.

### Open Function/Operation in Conjunction with Transmitter

- The door glass can be opened by holding the button in the UNLOCK position for approx. 1.5 s or more within the transmitter reception area.
- When the door glass is not fully open, operate and hold the transmitter UNLOCK position for approx. 1.5 s, and the door glass performs automatic open operation to fully open the door glass. During the automatic open operation, if the transmitter is operated again<sup>\*1</sup>, it stops in that position.

\*1 : The operation button can be either the LOCK/UNLOCK/PANIC button. Also, the holding time is not factored.



DPE912ZT1206

1	Close operation
2	Open operation
3	Close (lock button hold approx. 1.5 s)
4	Lock signal
5	Close request signal
6	Power window switch

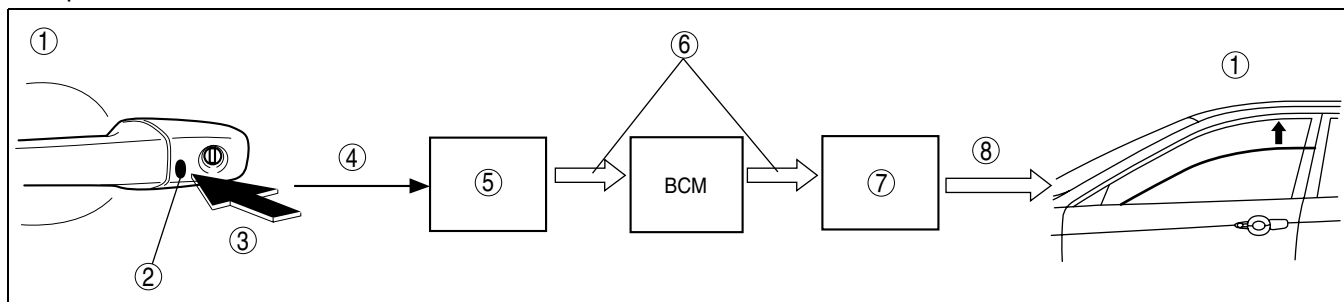
7	Close operation signal
8	Open (unlock button hold approx. 1.5 s)
9	Unlock signal
10	Open request signal
11	Open operation signal

### Close Function/Operation in Conjunction with Request Switch

- If the driver-side request switch is operated and held for approx. 1.5 s or more while the card key (transmitter) is within the reception area and the door glass is open, the door glass performs manual close operation. When the switch is released, the operation stops.
- During the operation, when the open/close function in conjunction with the key operation is performed, or the open/close function in conjunction with the transmitter is performed, these functions have priority over the

## GLASS/WINDOWS/MIRRORS

operation.



DPE912ZT1207

1	Close operation
2	Request switch (driver's side)
3	Close (lock, hold approx. 1.5 s)
4	Lock signal

5	Keyless control module
6	Close request signal
7	Power window switch
8	Close operation signal

### Operation Prohibition/Stop Condition

- When the following conditions are met before the operation, the exterior open/close function does not operate. Also, if the conditions are met during the operation, the operation stops.
  - Either door is open (when the door switch is ON)
  - The key is inserted in the steering lock (when the keyless switch is ON)
  - The push switch is pressed in or the start knob (ignition switch) is in a position other than the LOCK (with advanced keyless system)
  - The transmitter is not in the reception area
  - The card key (transmitter) is not in the reception area when the driver-side request switch is operated (with advanced keyless system)
  - The transmitter is operated during the operation (LOCK, UNLOCK, PANIC operation)

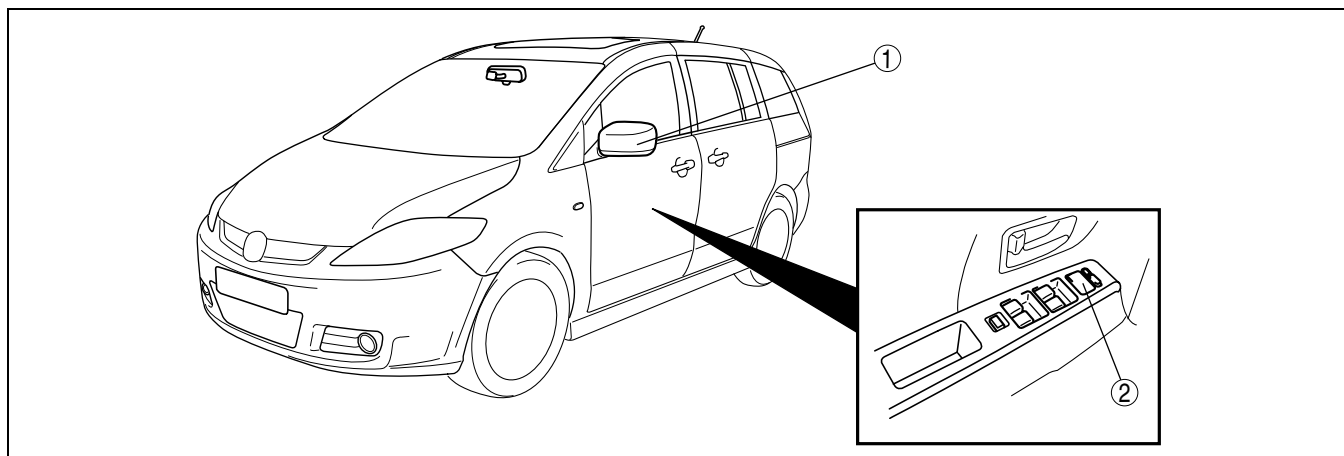
### POWER OUTER MIRROR OUTLINE

DPE091269100T01

Improved convenience	<ul style="list-style-type: none"> <li>• Power outer mirror (mirror glass adjusting function, and retract/return function) adopted</li> <li>• IG OFF timer function adopted for power outer mirror</li> </ul>
----------------------	---

### POWER OUTER MIRROR STRUCTURAL VIEW

DPE091269100T02



DPE912ZT1103

1	Power outer mirror
---	--------------------

2	Power outer mirror switch
---	---------------------------