

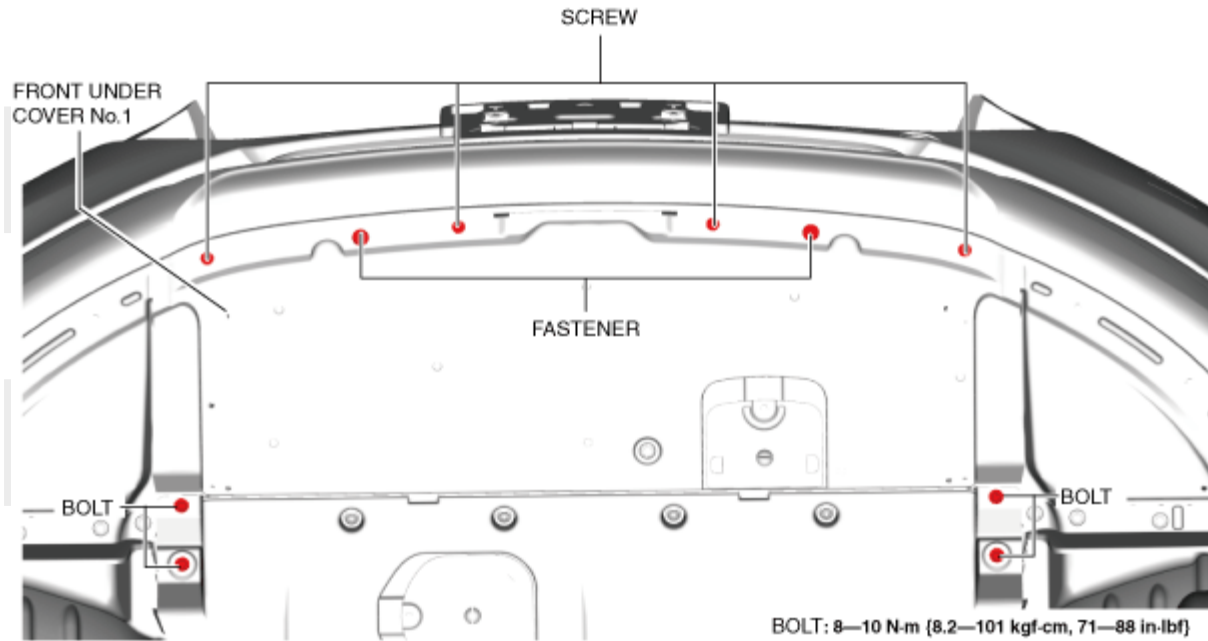
■ MUDGUARD REMOVAL/INSTALLATION

id091600467600

id091600467600

Front mudguard

1.Remove the screws.



ac5uuw00007257

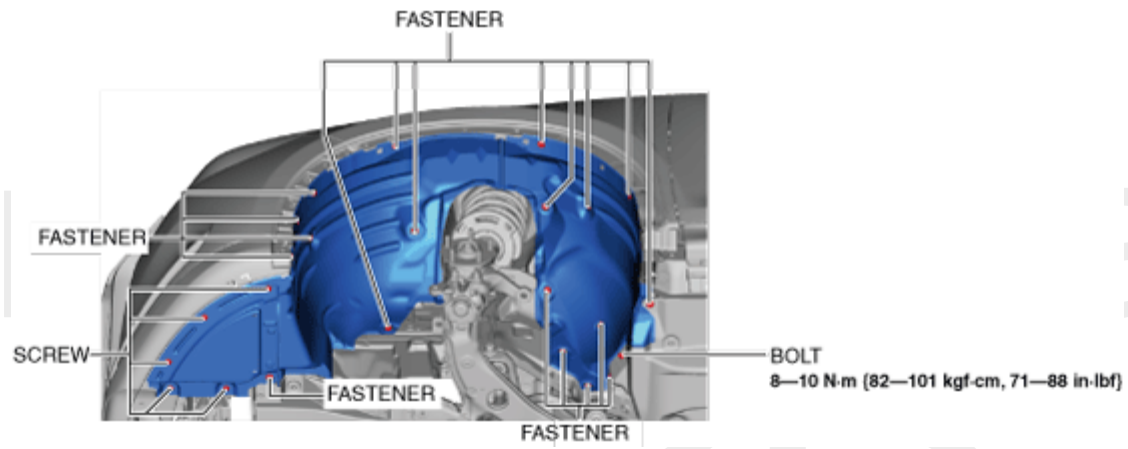
2.Remove the fasteners.

3.Remove the bolts.

4.Remove the front over fender. (See FRONT OVER FENDER REMOVAL/INSTALLATION.)

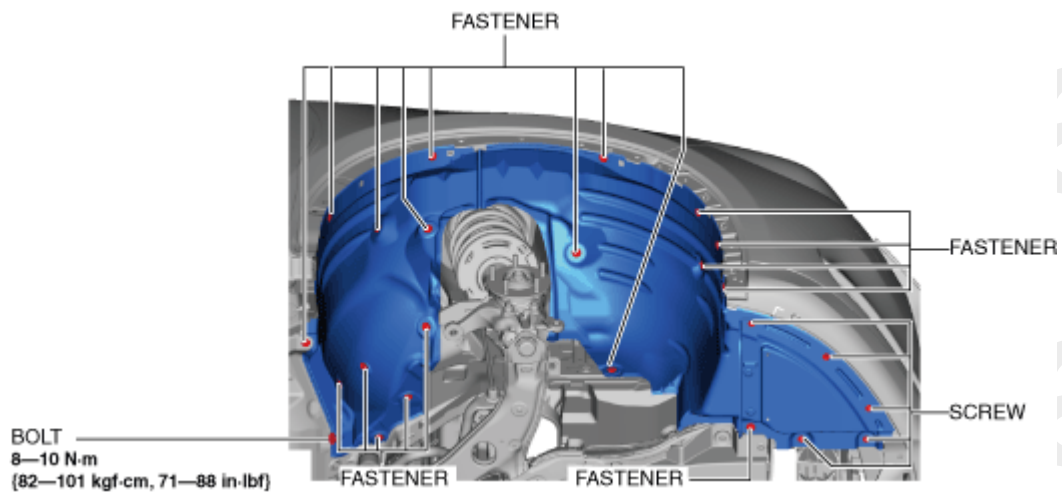
5.Remove the screws.

LH



ac5uuw00007999

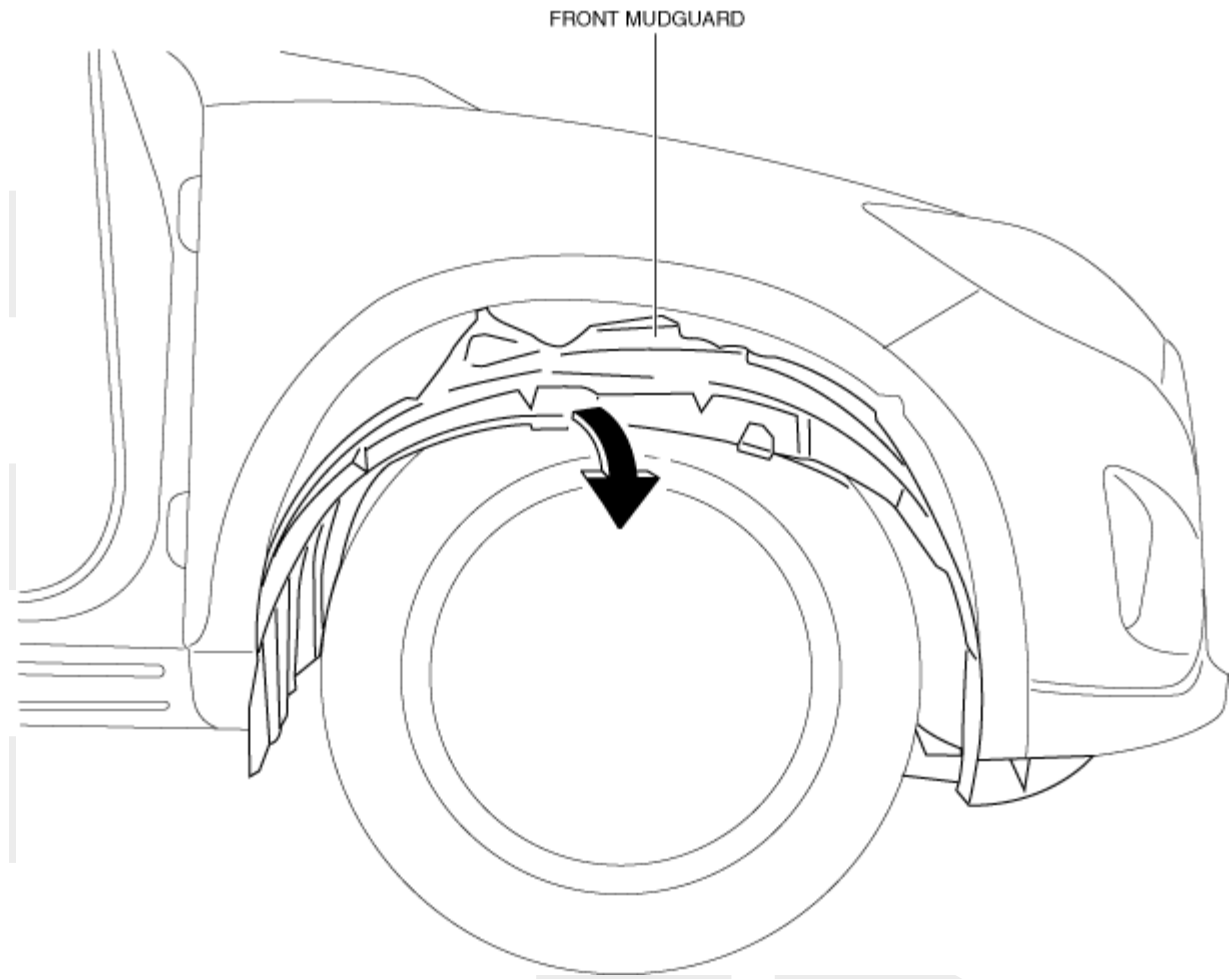
RH



ac5jjw00008161

6.Remove the fasteners.

7.Pull the front mudguard in the direction of the arrow shown in the figure.



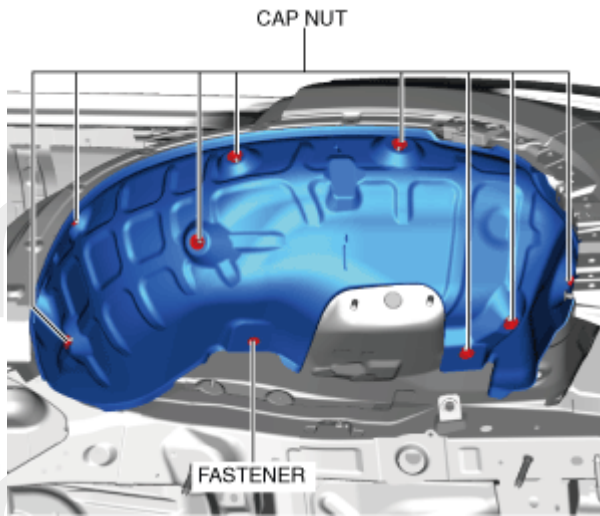
ac5uuw00007258

8. Install in the reverse order of removal.

Rear mudguard

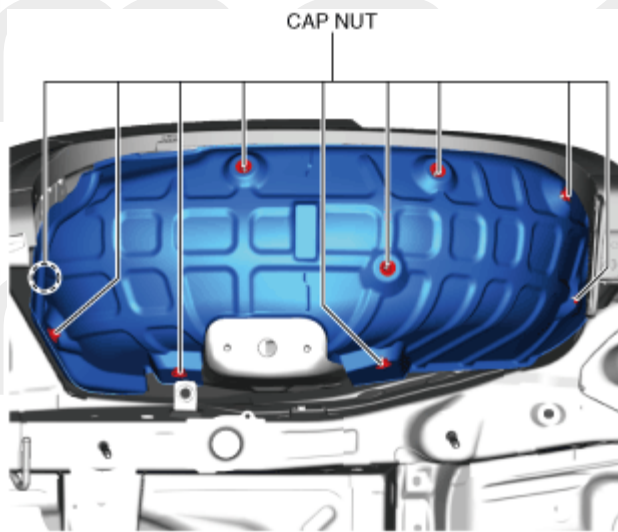
1. Remove the fastener (LH).

LH



ac5uuw00009424

RH



ac5uuw00009425

- 2.Remove the cap nuts.
- 3.Remove the rear mudguard.
- 4.Install in the reverse order of removal.