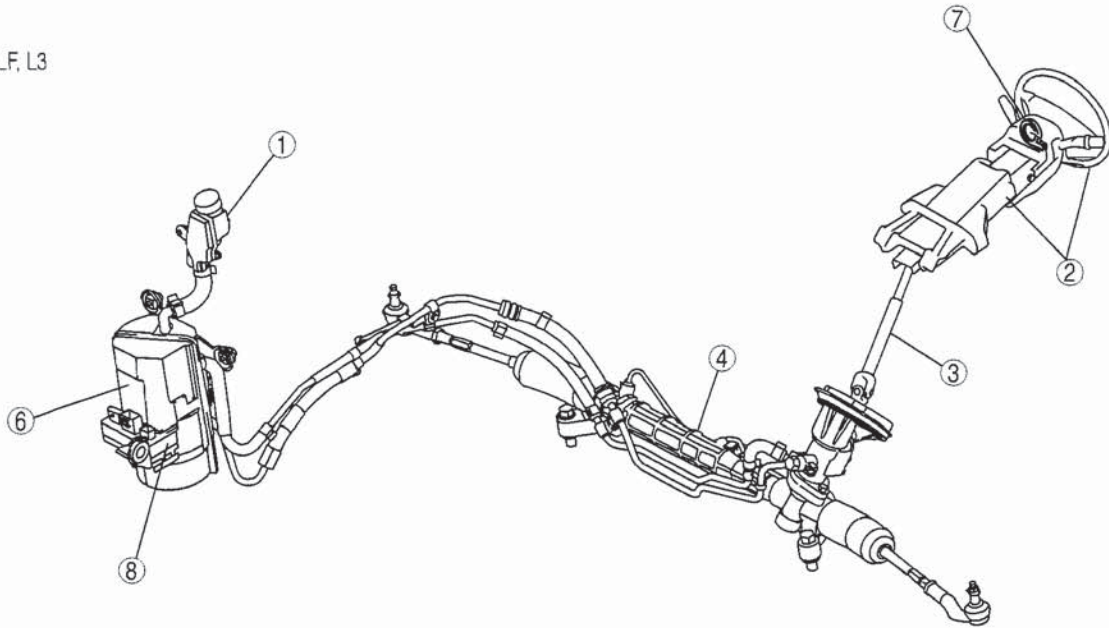


# POWER STEERING

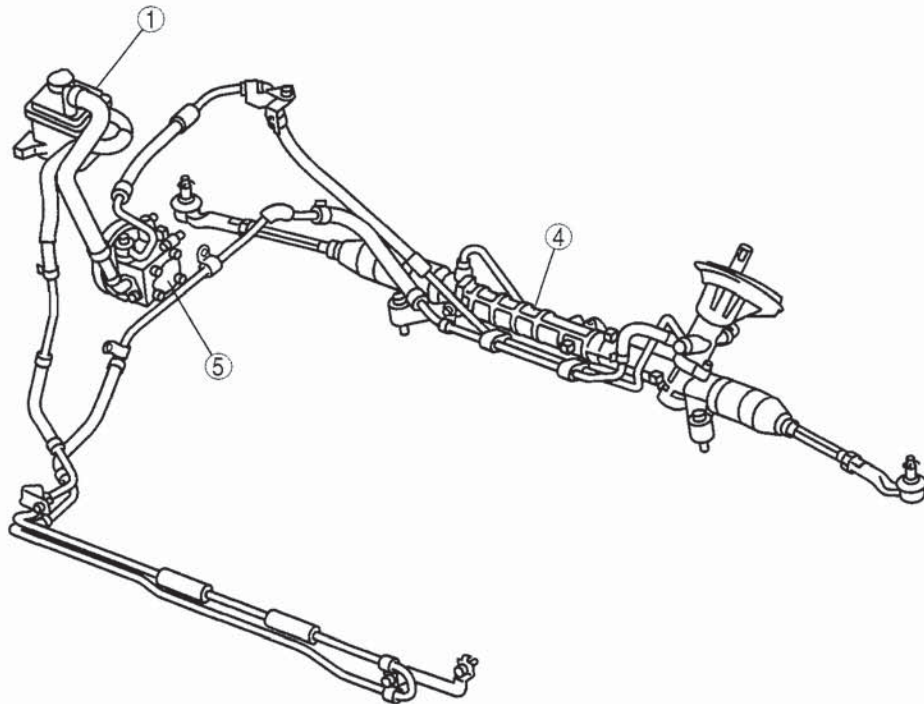
## STEERING LOCATION INDEX

id061400800100

LF, L3



L3 WITH TC



epu614zw3001

1	Power steering fluid (See 06-14-4 POWER STEERING FLUID INSPECTION.)
2	Steering wheel and column (See 06-14-6 STEERING WHEEL AND COLUMN INSPECTION.) (See 06-14-8 STEERING WHEEL AND COLUMN REMOVAL/INSTALLATION.)
3	Steering shaft (See 06-14-10 STEERING SHAFT INSPECTION.)

4	Steering gear and linkage (See 06-14-11 STEERING GEAR AND LINKAGE REMOVAL/INSTALLATION.) (See 06-14-12 STEERING GEAR AND LINKAGE DISASSEMBLY.) (See 06-14-15 STEERING GEAR AND LINKAGE INSPECTION.) (See 06-14-16 STEERING GEAR AND LINKAGE ASSEMBLY.)
5	Power steering oil pump (L3 WITH TC) (See 06-14-23 POWER STEERING OIL PUMP REMOVAL/INSTALLATION[L3 WITH TC].) (See 06-14-24 POWER STEERING OIL PUMP DISASSEMBLY/ASSEMBLY[L3 WITH TC].)

# POWER STEERING

6	Electric power steering oil pump (LF, L3) (See 06-14-21 ELECTRIC POWER STEERING OIL PUMP REMOVAL/INSTALLATION[LF, L3].)
7	Steering angle sensor (LF, L3) (See 08-10-14 CLOCK SPRING REMOVAL/INSTALLATION.) (See 06-14-27 STEERING ANGLE SENSOR INSPECTION.)

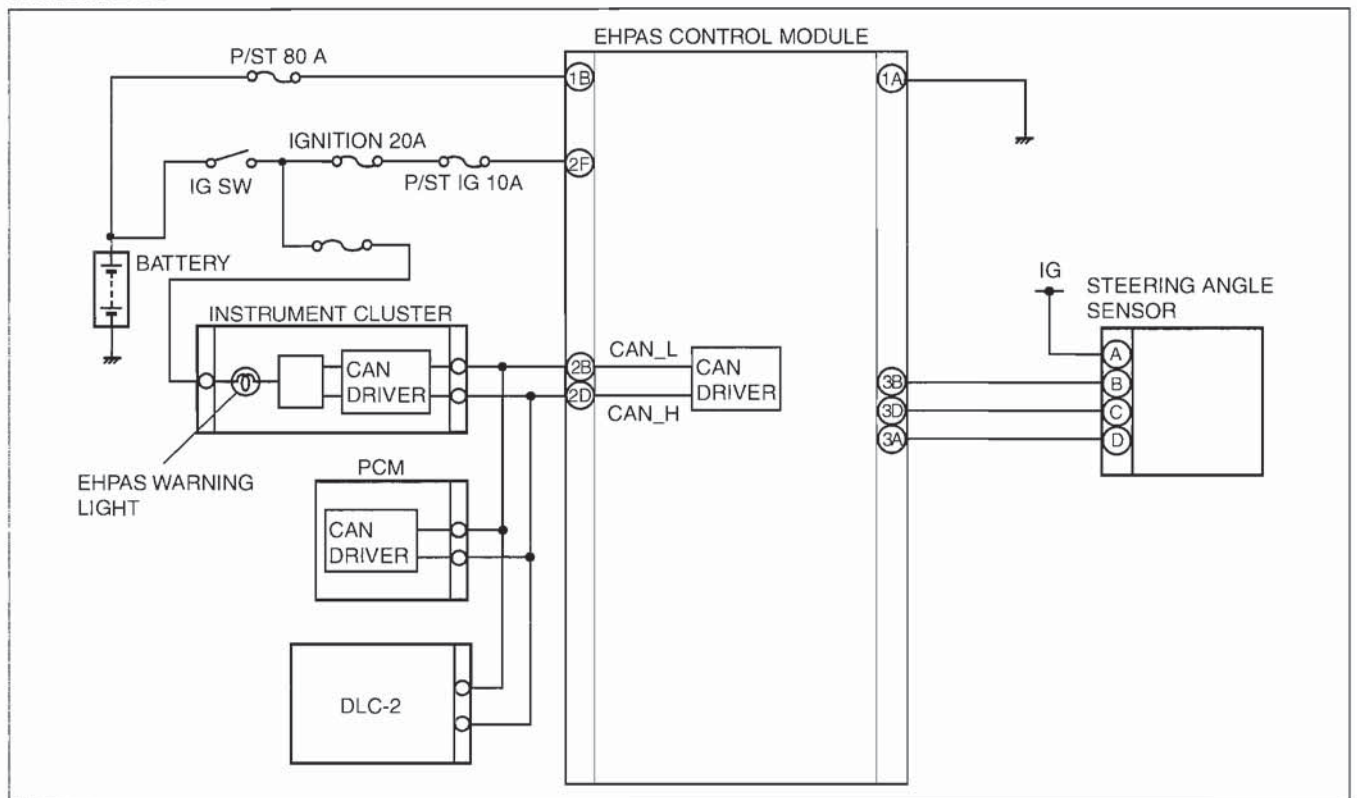
8	EHPAS control module (LF, L3) (See 06-14-22 ELECTRO HYDRAULIC POWER ASSIST STEERING (EHPAS) CONTROL MODULE INSPECTION[LF, L3].) (See 06-14-21 ELECTRO HYDRAULIC POWER ASSIST STEERING (EHPAS) CONTROL MODULE CONFIGURATION[LF, L3].)
---	--

## ELECTRO HYDRAULIC POWER ASSIST STEERING (EHPAS) SYSTEM WIRING DIAGRAM

id061400803100

Without DSC

06-14



e3u802zw6101