

1. VEHICLE PARTS REMOVAL

NOTE

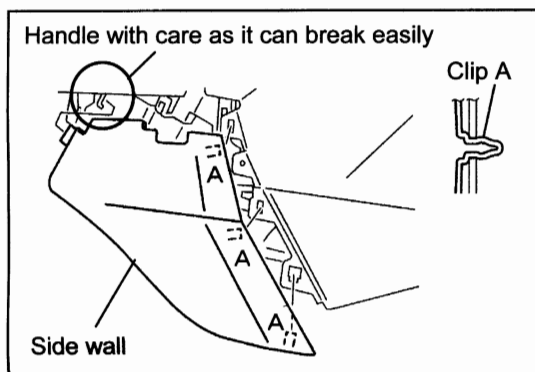
- The procedure described here is for a right-hand drive vehicle, however, perform work in the same manner for a left-hand drive vehicle as well.

Negative battery terminal disconnection

1. Disconnect the negative battery cable and wrap its terminal with tape to insulate it.

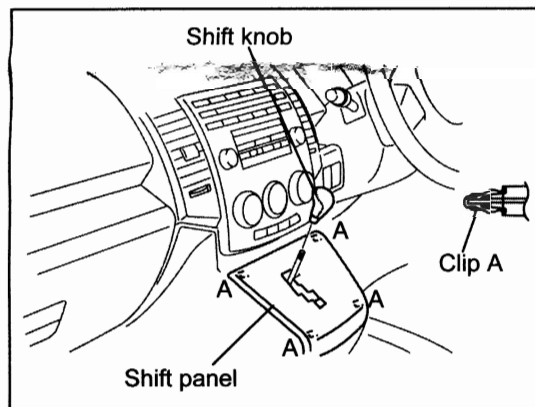
⚠ WARNING

- A short circuit while performing work may cause damage to parts, electric shock or other injury. Be sure to disconnect the negative battery cable and do not allow the terminal to contact any other parts.



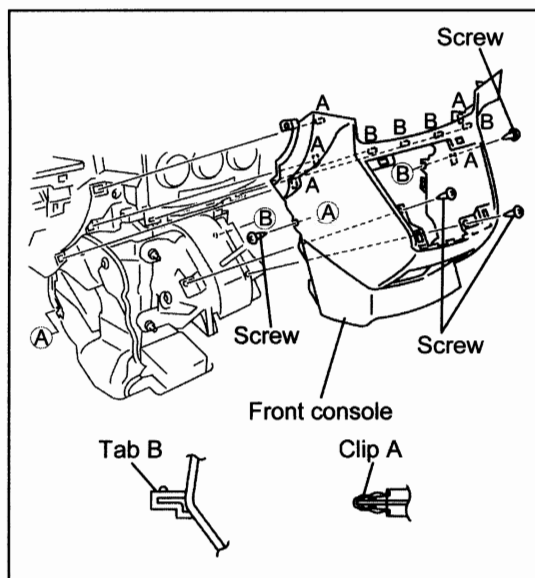
Side wall (driver's side and passenger's side) removal

1. Disengage clips A (3 locations).
2. Disengage the tab and remove the side wall.



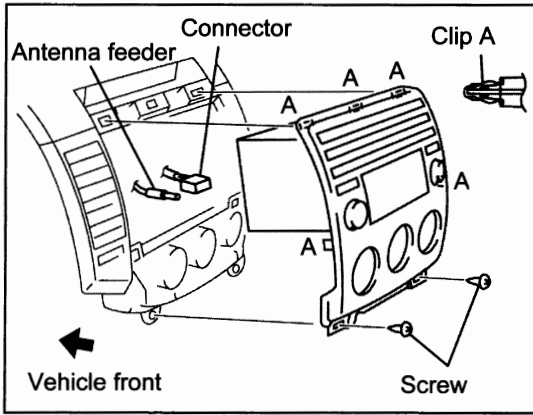
Front console removal

1. Remove the shift knob.
2. Lift the shift panel, disengage the clips, and then remove the shift panel from the front console.



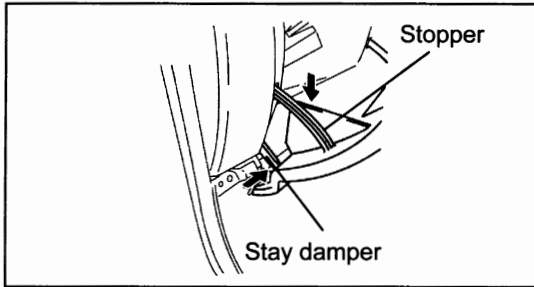
3. Remove the screws (4).
4. Pull the front console outward and disengage clips A and tabs B.
5. Disconnect the cigarette lighter connector and remove the front console.

■ Installation instructions (For Mazda5 only)



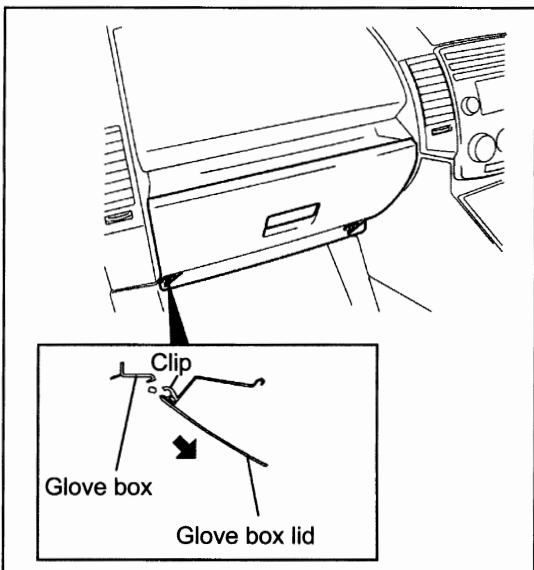
Center panel removal

1. Remove the screws (2).
2. Pull the center panel outward and disengage clips A (5 locations).
3. Disconnect the connector and the antenna feeder, then remove the center panel.

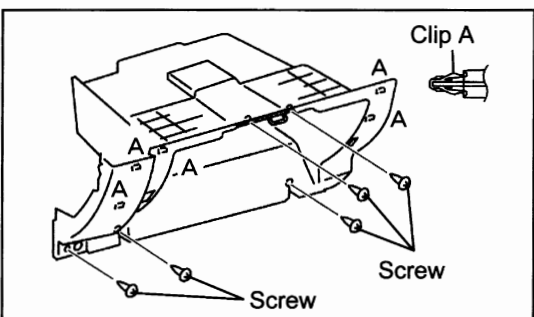


Glove box removal

1. Push the stay damper in the direction of the arrow and disengage the glove box lid from the stay damper.



2. Push down the stopper to disengage.
3. Pull the glove box lid outward while keeping it lowered as shown in the figure, disengage the clip, and then remove the glove box lid.



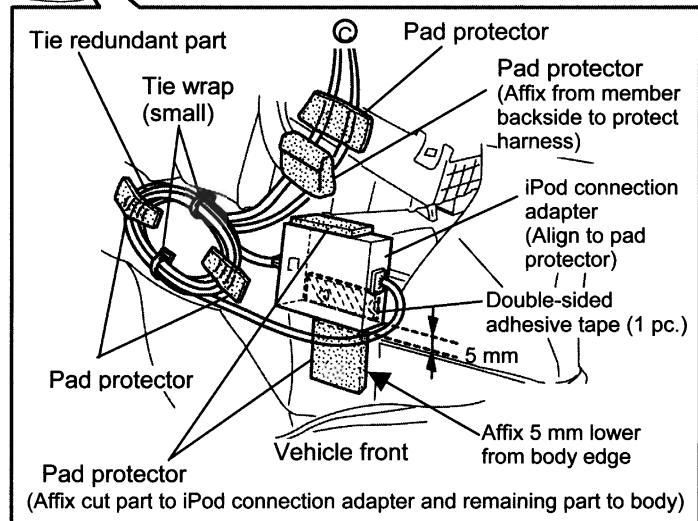
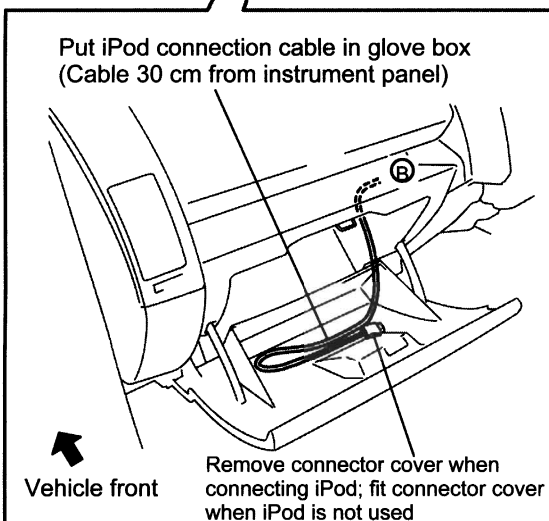
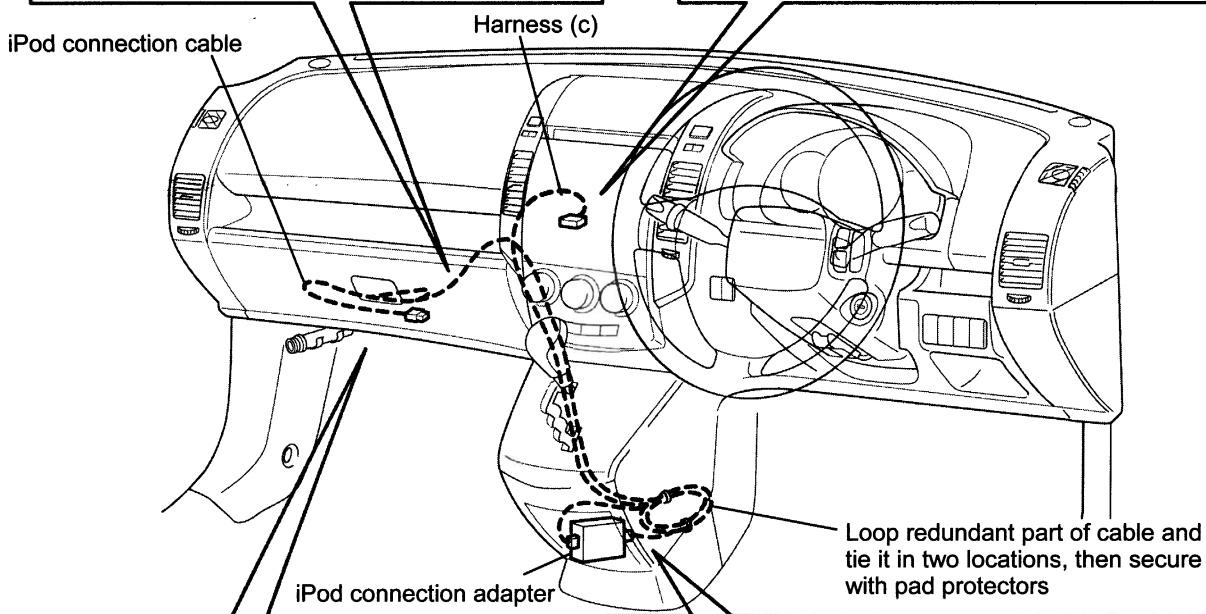
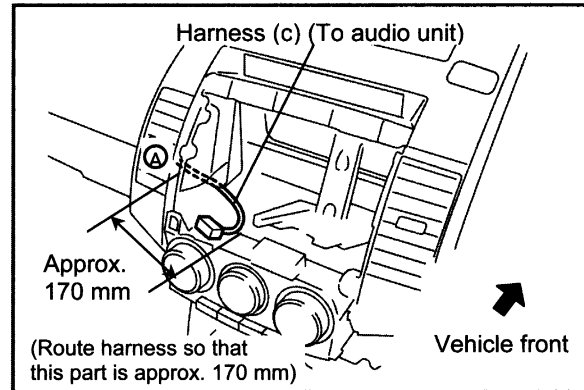
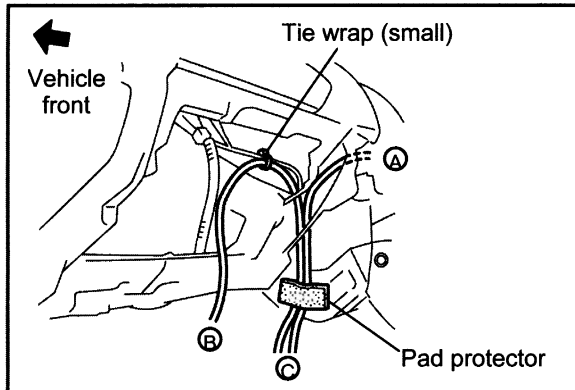
4. Remove the screws (5).
5. Pull the glove box outward and disengage clips A (5 locations).

2. INSTALLATION AND WIRING

WIRING <Installation of iPod connection adapter only>

⚠ CAUTION

- To prevent an open or short circuit in the wiring of the iPod connection adapter, be sure to route cables avoiding sharp edges and burrs of the vehicle's sheet metal.
- To ensure proper affixing, be sure to degrease the area where the double-sided adhesive tape is affixed.
- After fixing a cable with a tie wrap, cut off excess tie wrap using nippers. Otherwise it may interfere with other parts causing failure or noise.



3. CONNECTION CHECK

1. Reconnect the negative battery cable.

⚠ CAUTION

- Connect the negative battery cable carefully so that it does not interfere with other parts.
- If the battery is disconnected, the automatic full open/close feature of the power window is disabled. This feature can be recovered by the following procedure.
 1. Turn the ignition switch to the ON position.
 2. Hold down the power window switch until the window is fully open.
 3. Pull up the power window switch to close the window and continue to pull it up for about two seconds after it is fully closed.
 4. If the feature does not function even after the ignition switch is turned off, contact an Authorized Mazda Dealer.