

# GENUINE iPod CABLE

## INSTALLATION INSTRUCTIONS

Vehicle: CX-9

Part number: GEA1 79 970

Thank you for purchasing a genuine Mazda accessory.

Before removal and installation, be sure to thoroughly read these instructions.

Please read the contents of this booklet in order to properly install and use the iPod cable. Your safety depends on it.

Keep these instructions with your vehicle records for future reference.

### Note:

- There are several **⚠WARNING** and **⚠CAUTION** sections in this booklet concerning safety when installing or removing the iPod cable. Always read and follow them in order to prevent injuries, accidents, and possible damage to the vehicle.

**⚠ WARNING:** Indicates a situation in which serious injury or death could result if the warning is ignored.

**⚠ CAUTION:** Indicates a situation in which bodily injury or damage to the vehicle could result if the caution is ignored.

- Do not install the iPod cable in any way other than described in the following instructions.
- If in any doubt, please ask your Mazda dealer to install the accessory in order to prevent errors in installation.
- If you have any questions about the use of the accessory, ask your Mazda dealer for proper advice before using it.
- Mazda and its suppliers are not responsible for injuries, accidents, and damage to persons and property that arise from the failure of the dealer or installer to follow these instructions.
- To ensure safety and reliability of the work, installation, removal and disposal work by an Authorized Mazda Dealership is recommended.
- Be careful not to lose removed parts, and be sure that they are kept free from scratches, grease or other dirt.

#### To the dealer

Please turn over these instructions to the customer after installation.

#### To the customer

- Keep these instructions after installation. The instructions may be necessary for installing other optional parts or removal of this accessory.
- Should the vehicle or this accessory be resold, always leave these instructions with it for the next owner.

\* iPod is a trademark of Apple Inc., registered in the United States and other countries.

C

CX-9



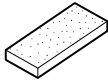


# 1. PARTS

## PARTS LIST

### NOTE:

- Before installation, verify that the kit includes all the following parts and that they are free of dirt, scratches, or damage.

### ● iPod cable kit

Parts	Part Name	Qty	Parts	Part Name	Qty	Parts	Part Name	Qty
	iPod connection cable	1		Tie wrap (150 mm)	5		Urethane (50 × 90 mm)	5
	User's instructions	1		Installation instructions	1			

# 2. REQUIRED TOOLS

- ☆ Flathead screwdriver
- ☆ Socket wrench
- ☆ Soft cloth
- ☆ Phillips screwdriver
- ☆ Fastener remover
- ☆ Mat

# 3. BEFORE INSTALLATION

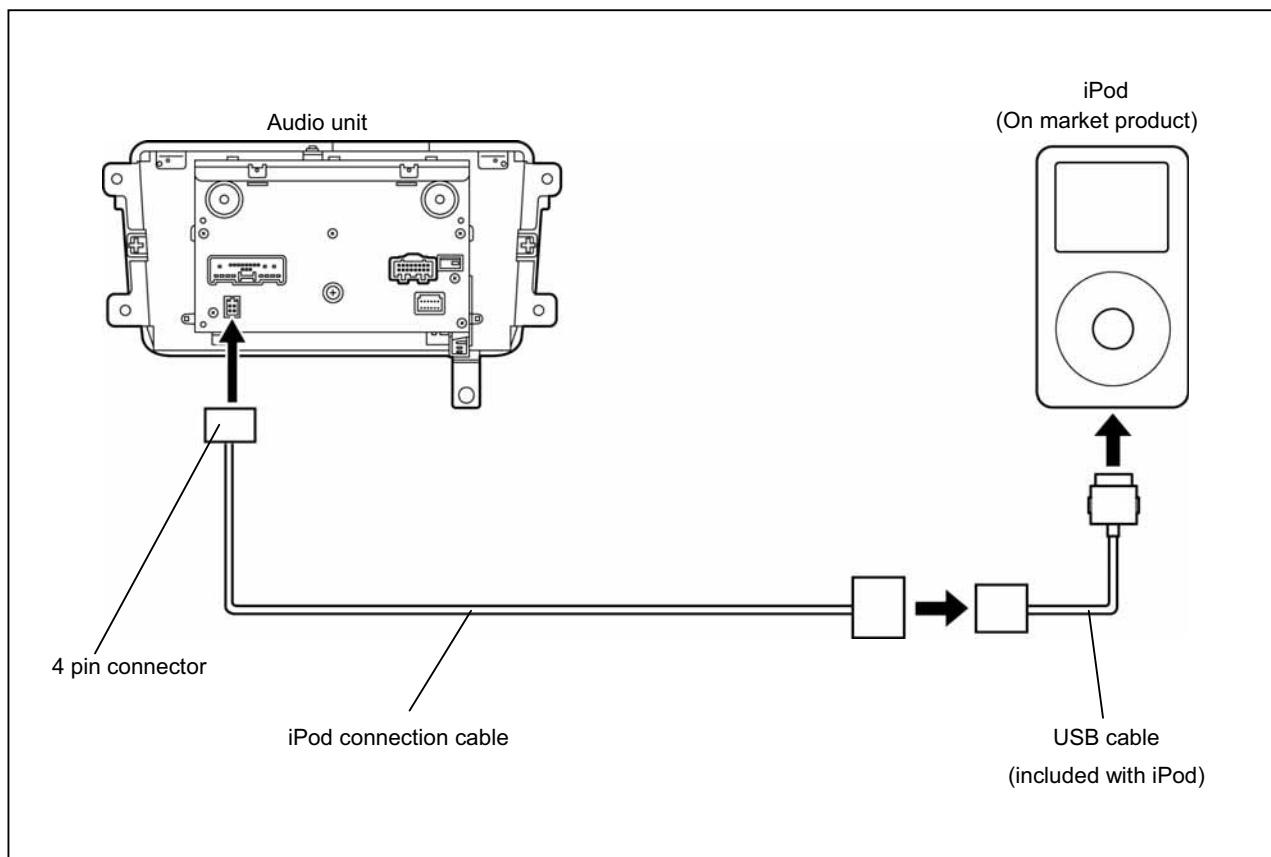
### ⚠ CAUTION

- To prevent short related accidents while performing procedures, disconnect the negative battery cable before beginning any work.
- When disconnecting the connector, hold the connector itself to remove while pressing the connector lock.
- Do not apply excessive force to the wiring harness as it could cause an open circuit.
- When locking connectors, listen for a click that will indicate they are securely locked.
- Be careful not to pinch the wiring harness. Otherwise, the wiring harness could be damaged.
- When removing and installing vehicle parts, make sure they are clean with no scratches. Also, be sure to cover the vehicle body with protectors or mats when removing/installing parts to prevent scratches and dirt.

### NOTE:

- Refer to the applicable Workshop Manual for removal and installation of vehicle parts. Not following the procedures for removal/installation in the Workshop Manual could result in an accident or vehicle malfunction.
- When the negative battery cable is removed, the clock, radio, trip meters and other memories will be erased. Before performing work, record the content of the memory.

## 4. CONNECTION DIAGRAM



### ⚠ CAUTION

- Connect only the iPod to this cable. Even if other devices (such as USB portable audio players, USB memory) are connected, the audio will not operate.

## 5. CAUTIONS ON CONNECTION

### ⚠ CAUTION

- When connecting a connector, be sure to insert it straight along the guide. The connector terminal may be bent if inserted at an angle.

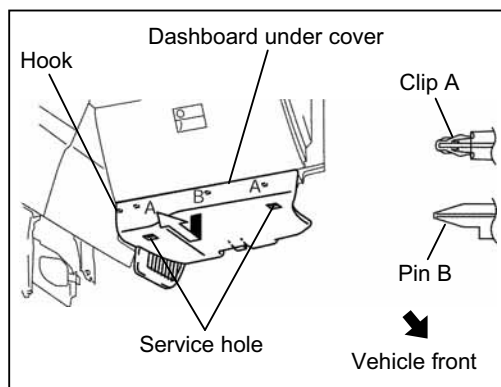
## 6. VEHICLE PARTS REMOVAL MAZDA CX-9

### Negative battery cable disconnection

1. Set the selector lever to D range.
2. Disconnect the negative battery cable and wrap tape around it to insulate.

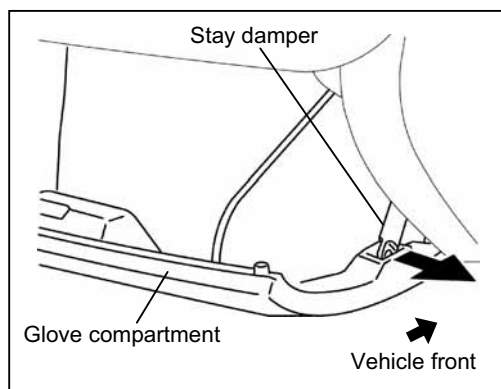
#### **WARNING**

- When the negative battery cable is connected during operation, it may cause electric shock or other personal injuries. Disconnect the negative battery cable before removal/installation.



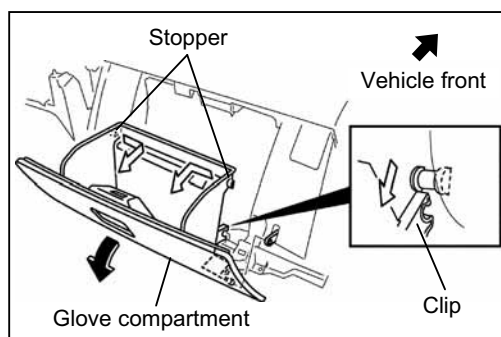
### Dashboard under (passenger's side) cover removal

1. Insert fingers into the service hole and detach clips A (2 locations) and pin B (1 location) and hook (1 location) by pulling it in the direction of the arrow.
2. Remove the dashboard under cover.



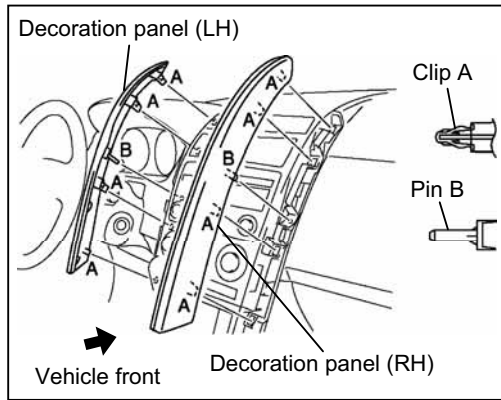
### Glove compartment removal

1. Pull the stay damper in the direction shown in the figure, and detach the connecting part between the glove compartment and the stay damper.



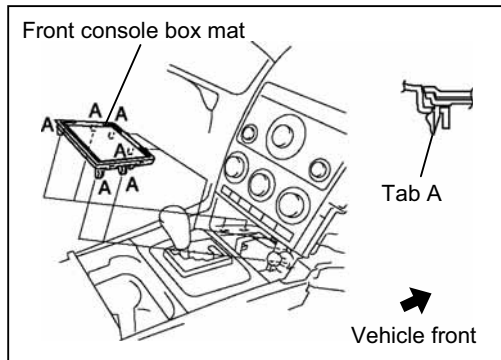
2. Press the stopper in and remove it.
3. Lower the glove compartment.
4. Detach the clips from the dashboard and remove the glove compartment.

CX-9



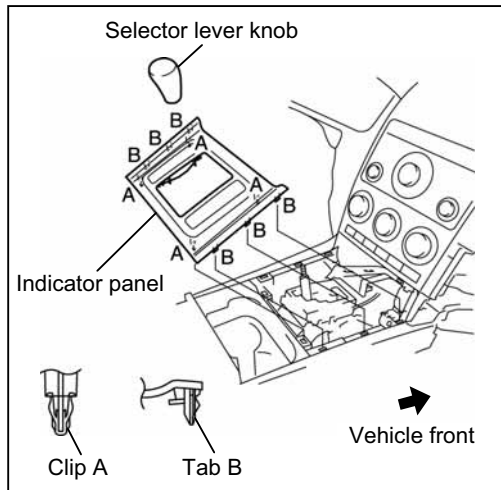
### Decoration panel removal

1. Pull the decoration panel outward and detach clips A (4 locations) and pin B (1 location).
2. Remove the decoration panel.



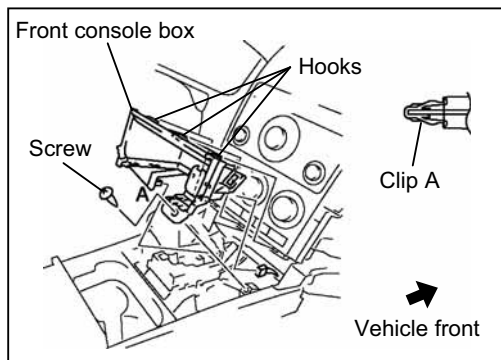
### Front console box mat removal

1. Pull the front console box mat outward and detach tabs A (6 locations), then remove the front console box mat.



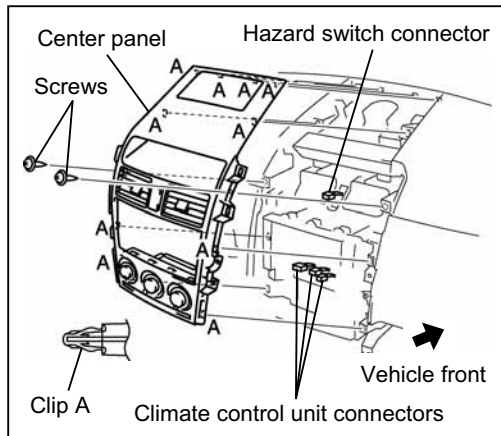
### Indicator panel removal

1. Remove the selector lever knob.
2. Pull the indicator panel upward and detach clips A (4 locations) and tabs B (6 locations).
3. Remove the shift indicator illumination, and then remove the indicator panel.



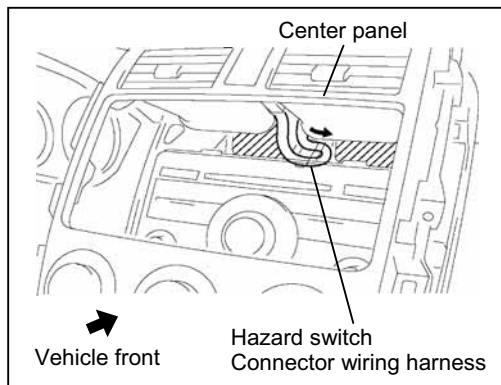
### Front console box removal

1. Remove a screw (1 location).
2. Pull the front console box outward and detach clip A (1 location) and hooks (3 locations).
3. Disconnect the accessory socket connector.
4. Remove the front console box.



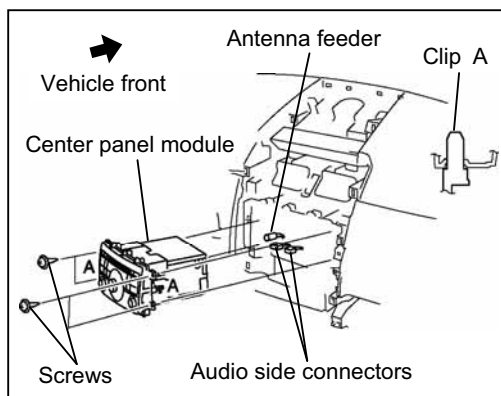
### Center panel removal

1. Remove the screws (2 locations).
2. Pull the center panel outward and detach clips A (10 locations).
3. Disconnect the hazard switch connector and climate control unit connectors.
4. Remove the center panel.



### ⚠ CAUTION

- The ventilator grilles will be installed to the shaded areas shown in the figure. Therefore, if a wiring harness is in the areas, it could get caught and damaged. When installing the center panel, completely press in the wiring harnesses of the hazard warning switch connector in the direction of the arrow so that the wiring harnesses will not be caught.



### Center panel module removal

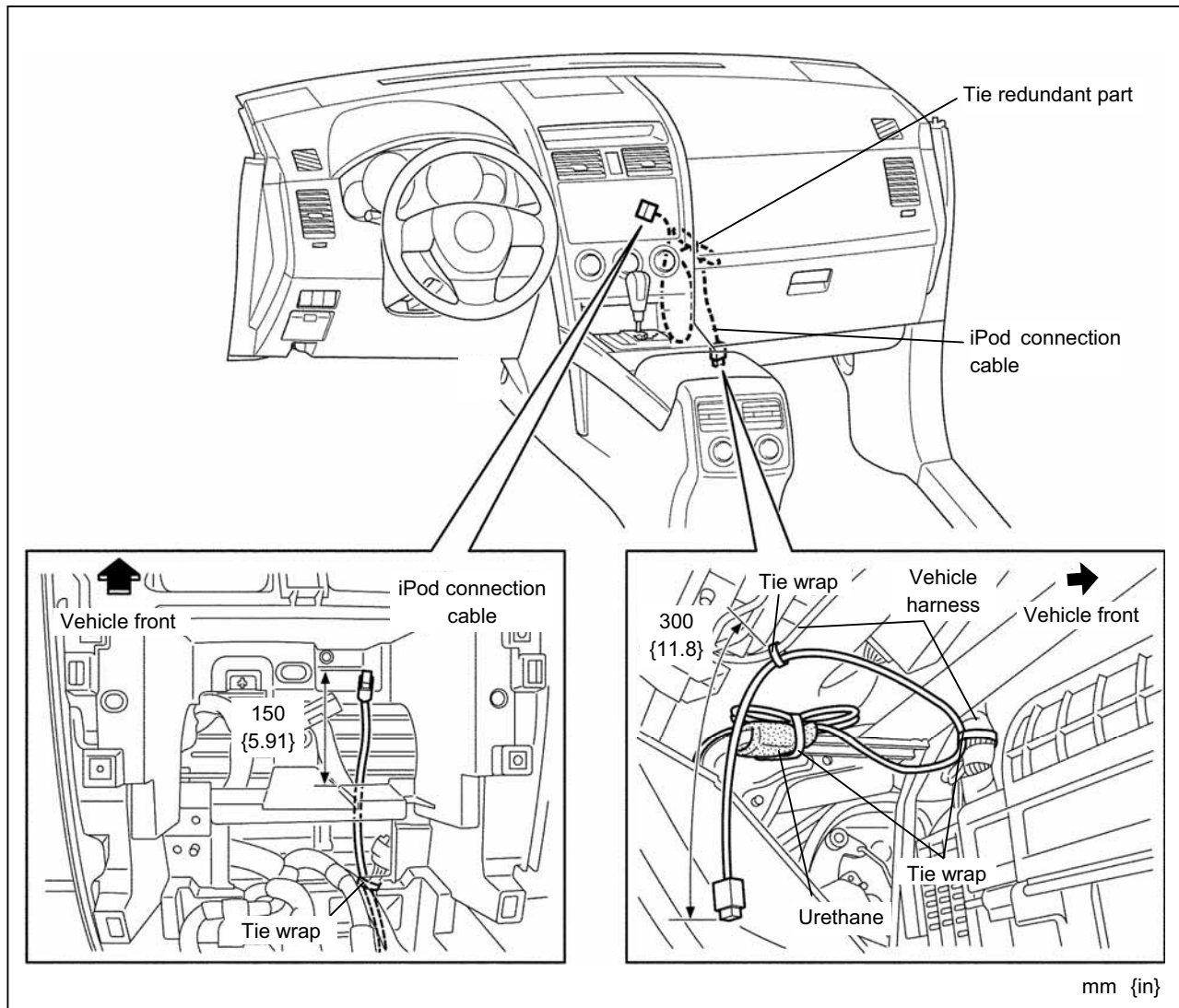
1. Remove the screws (4 locations).
2. Pull the center panel module outward slowly and detach clips A (2 locations).
3. Disconnect all the audio side connectors and antenna feeder, then remove the center panel module.

### ⚠ CAUTION

- When installing the center panel module, make sure that the wiring harness and antenna feeder are not caught between the module and dashboard. If the wiring harness or the antenna feeder is caught between the module and dashboard, it may cause malfunctions.

## 7. INSTALLATION AND WIRING MAZDA CX-9

### WIRING <Installation of iPod cable>



#### ⚠ CAUTION

- When installing the center panel module, make sure the connected iPod connection cable does not bend when contacting the blower unit.

## 8. OPERATION CHECK MAZDA CX-9

1. Reconnect the negative battery cable.

### CAUTION

- When the battery is disconnected, the windows will not fully open and close automatically. Perform the following procedure to resume operation:
  1. Turn the ignition switch to the ON position.
  2. Press the switch and fully open the window.
  3. Pull up the switch and continue holding for about 2 seconds to fully close the window.
  4. If the function does not operate even after the ignition switch is turned off, contact an Authorized Mazda Dealer.

# INSTALLATION INSPECTION SHEET

<b>MAZDA CX-9</b>	<b>iPod CABLE</b>
	<b>GEA1 79 970</b>

## A. Vehicle parts reinstallation

- Install removed vehicle parts in the reverse order of "VEHICLE PARTS REMOVAL".

### CAUTION

- Make sure that the vehicle parts are clean before reinstalling. Clean any dirty parts.
- Verify that the connectors are securely connected.

Check

## B. Inspection after installation

- Inspect the installed / reinstalled parts for the following items.

Inspection Parts	Check Item (○)			
	Clearance/Fit	Scratches/ Dirt/ Harness interference	Installation/ Tightening/ Engagement	Operation check
iPod cable				○
Center panel module (Audio unit and climate control unit connector)	○	○	○	○
Center panel	○	○	○	
Indicator panel	○	○	○	
Glove compartment	○	○	○	
Front console box	○	○	○	
Decoration panel	○	○	○	
Dashboard under cover	○	○	○	
Negative battery cable	○	○	○	
Power window auto function				○

○ : Applicable

Installation inspection sheet for iPod cable

Date				
VIN.				
Approved		Checked		Person in charge

The term of validity for this sheet: 12 months