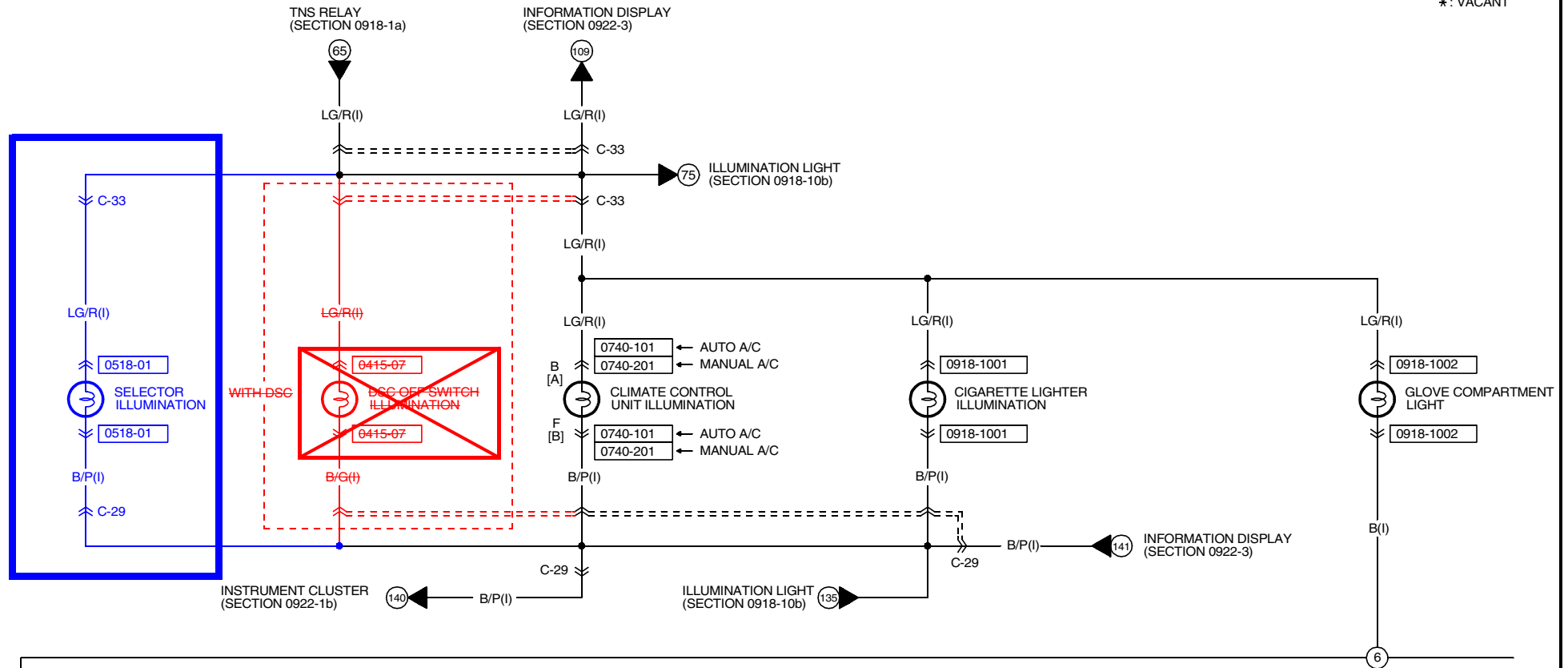


ILLUMINATION LIGHT

0918-10a

[] AUTO A/C
* : VACANT



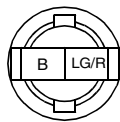
152

TTT

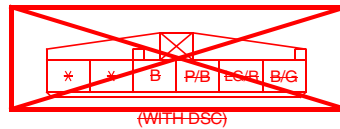
0918-1001
CIGARETTE LIGHTER ILLUMINATION(I)



0918-1002
GLOVE COMPARTMENT LIGHT (I)



~~0415-07~~
~~DSC-OFF SWITCH ILLUMINATION(I)~~



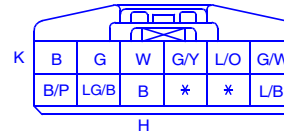
0740-101
CLIMATE CONTROL UNIT ILLUMINATION(I)




				M		K					
W	U	S	Q	O	I	G	E	C	A		
GY	B/L	LG/W	P/B	LG	V/W	R/W	B/W	L	Y	BR/R	LG/R
L/W	B	L/B	Y/B	V	B/R	W/L	W/R	L/R	L/O	LY	B/P
X	V	T	R	P	N	L	J	H	F	D	B
(AUTO A/C)											

0740-201
CLIMATE CONTROL UNIT ILLUMINATION(I)

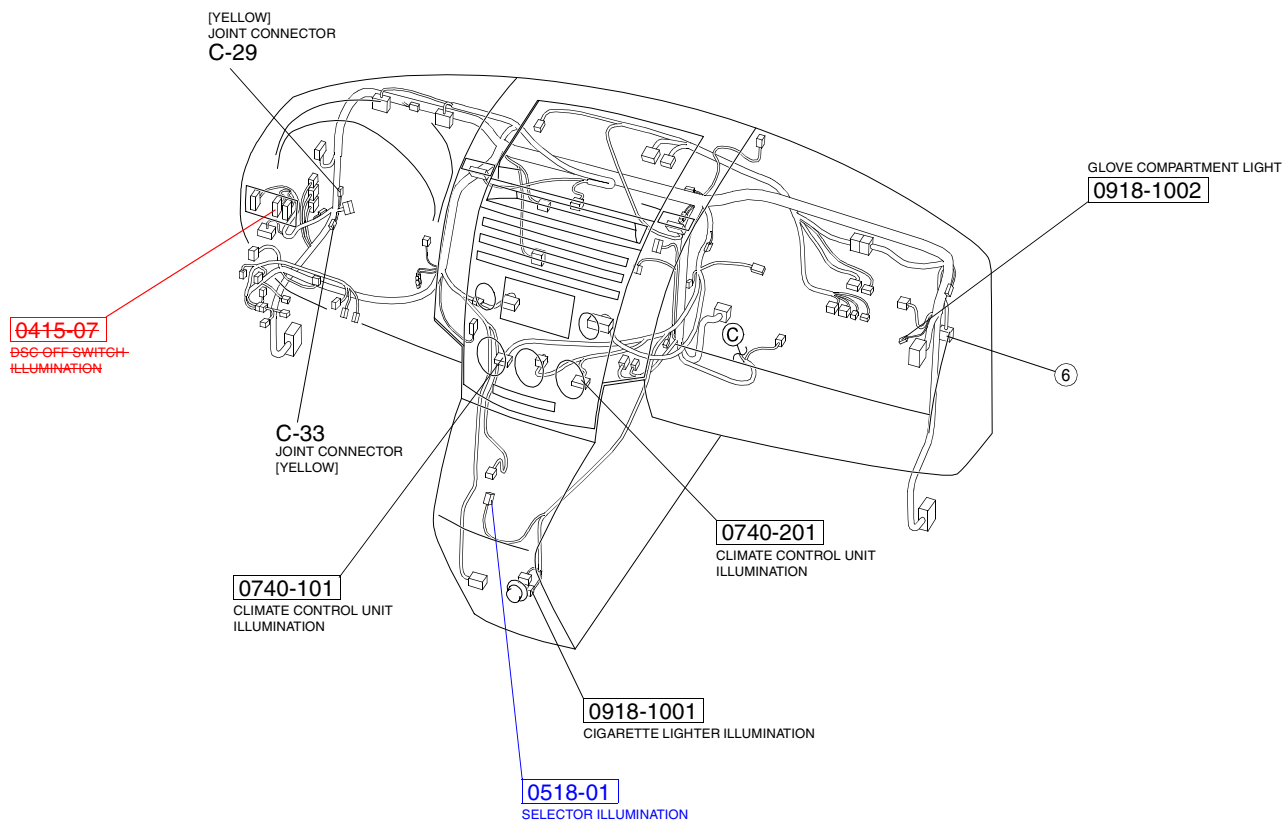
				M		K					
W	U	S	Q	O	I	G	E	C	A		
*	*	*	*	*	L/B	B/L	L/W	B/R	GY/R	L/Y	*
R/W	L/R	V/W	LG	P/B	*	B	*	*	B/P	*	LG/R
X	V	T	R	P	N	L	J	H	F	D	B
(MANUAL A/C)											

0518-01
SELECTOR ILLUMINATION(I)



HARNESS SYMBOL :  (F)  (E)  (R)

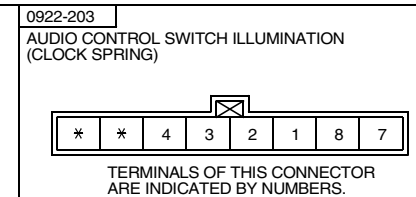
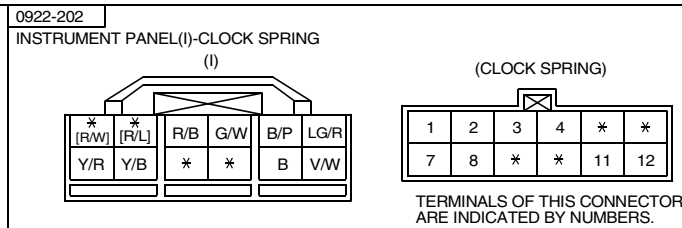
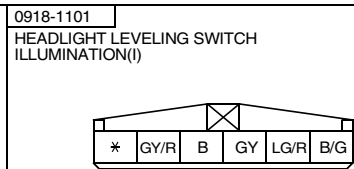
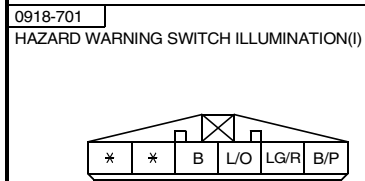
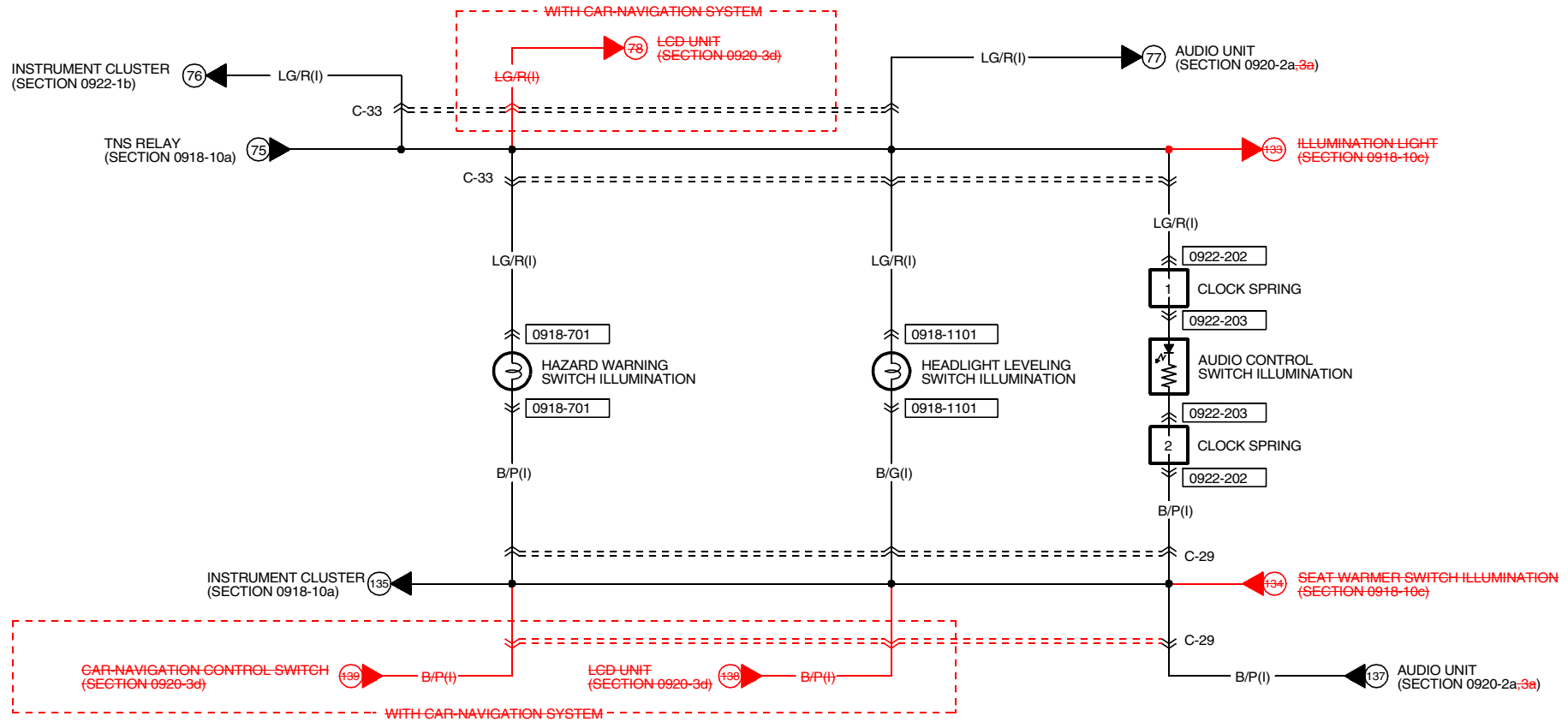
153



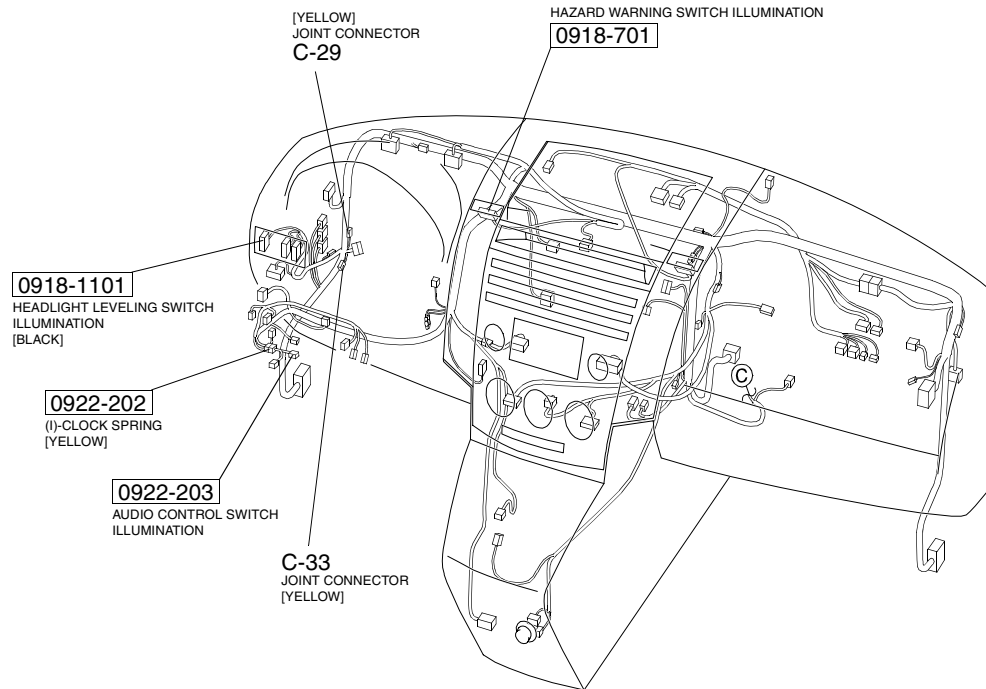
ILLUMINATION LIGHT

0918-10b

[] NOT USED
*: VACANT



HARNESS SYMBOL :  (F)  (E)  (R)

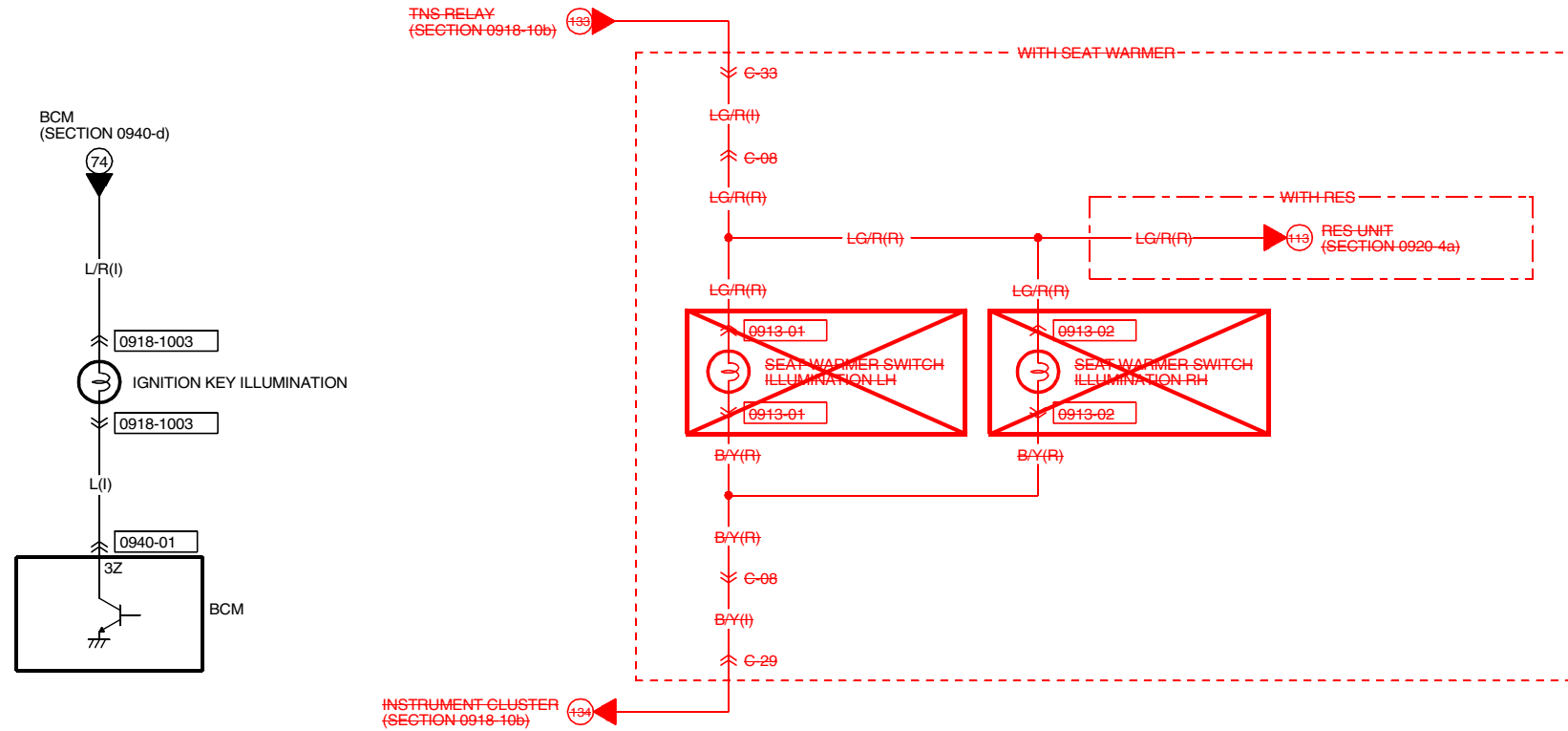


155

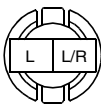
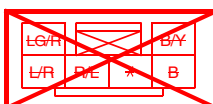
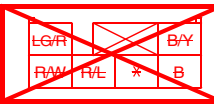
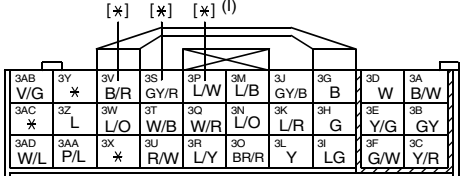
ILLUMINATION LIGHT

0918-10c

[] AUTO A/C
* : VACANT



156

<p>0918-1003 IGNITION KEY ILLUMINATION(I)</p> 	<p>0913-01 SEAT-WARMER-SWITCH ILLUMINATION-LH(R)</p>  <p>(WITH SEAT WARMER)</p>	<p>0913-02 SEAT-WARMER-SWITCH ILLUMINATION-RH(R)</p>  <p>(WITH SEAT WARMER)</p>	<p>0940-01 BCM</p> 	

HARNESS SYMBOL :  (F)  (E)  (R)

