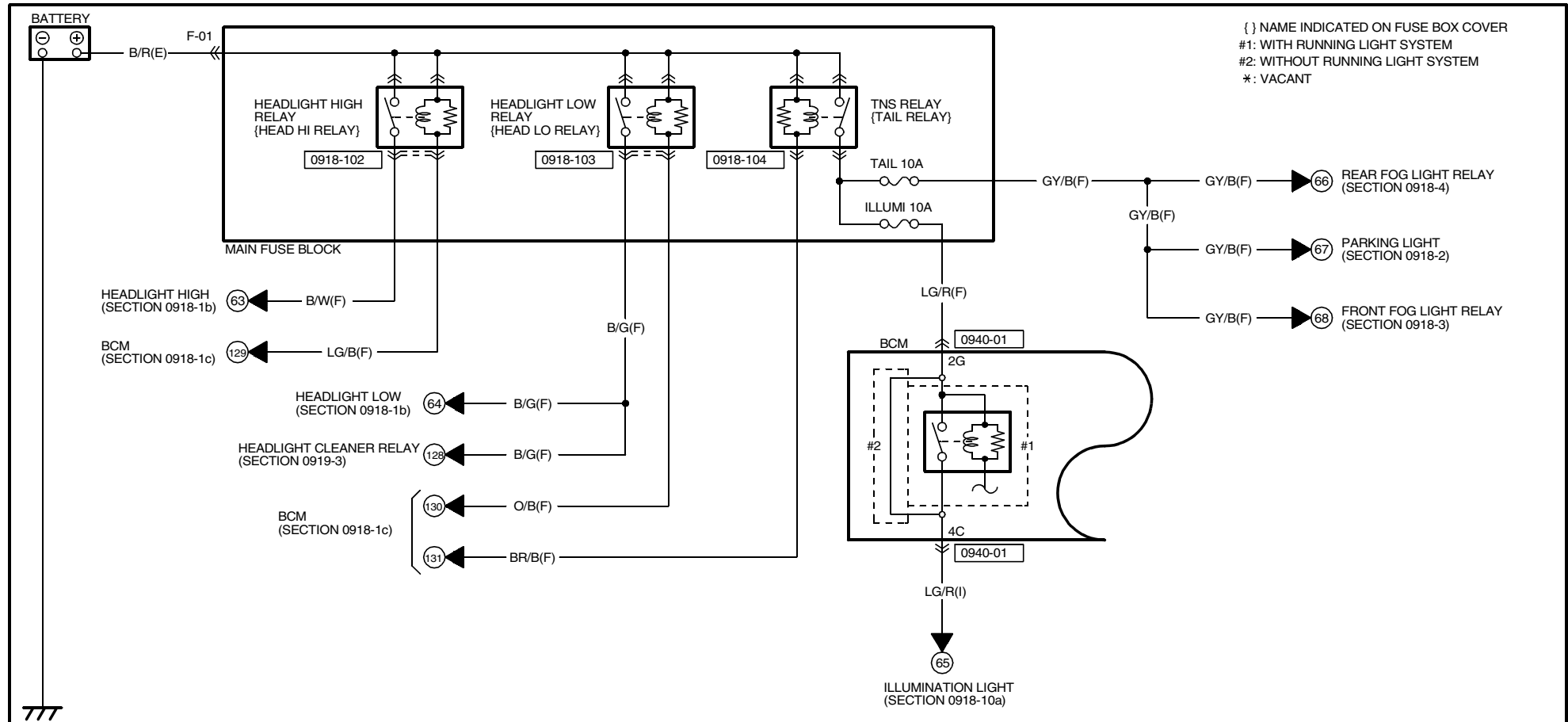


HEADLIGHT




0918-1a

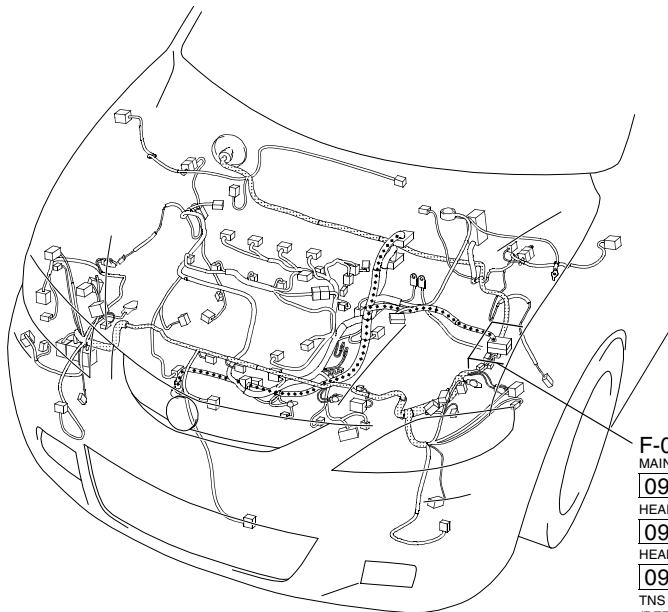


130

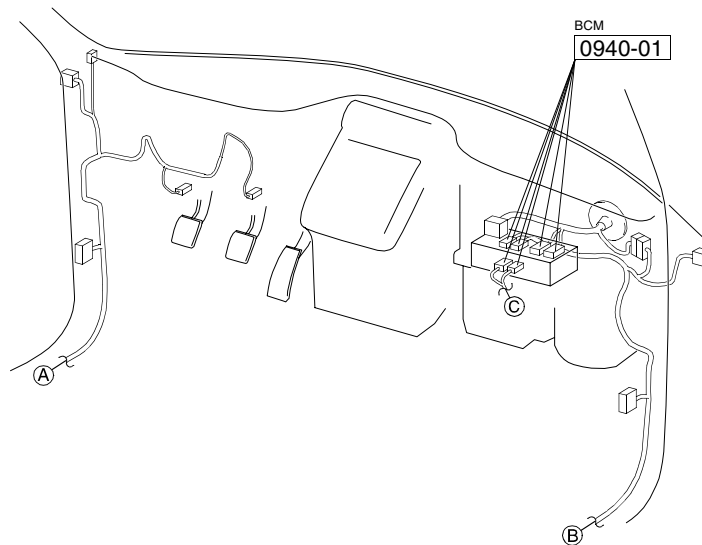
TTT

<p>0918-102 HEADLIGHT HIGH RELAY(F)</p> <p>NOTE:SEEN FROM TERMINAL SIDE</p>	<p>0918-103 HEADLIGHT LOW RELAY(F)</p> <p>NOTE:SEEN FROM TERMINAL SIDE</p>	<p>0918-104 TNS RELAY(F)</p> <p>NOTE:SEEN FROM TERMINAL SIDE</p>																																					
<p>0940-01 BCM</p> <p>(F)</p> <table border="1"> <tr><td>2K</td><td>2I</td><td>2G</td><td>2E</td><td>2C</td><td>2A</td></tr> <tr><td>Y/R</td><td>V/G</td><td>LG/R</td><td>*</td><td>*</td><td>L/R</td></tr> <tr><td>2L</td><td>2J</td><td>2H</td><td>2F</td><td>2D</td><td>2B</td></tr> <tr><td>GY</td><td>W/G</td><td>P/L</td><td>GY/L</td><td>GY/V</td><td>R/G</td></tr> </table> <p>(I)</p> <table border="1"> <tr><td>4E</td><td>4C</td><td>4A</td></tr> <tr><td>B</td><td>LG/R</td><td>L/Y</td></tr> <tr><td>4F</td><td>4D</td><td>4B</td></tr> <tr><td>W</td><td>L/R</td><td>G/B</td></tr> </table>	2K	2I	2G	2E	2C	2A	Y/R	V/G	LG/R	*	*	L/R	2L	2J	2H	2F	2D	2B	GY	W/G	P/L	GY/L	GY/V	R/G	4E	4C	4A	B	LG/R	L/Y	4F	4D	4B	W	L/R	G/B			
2K	2I	2G	2E	2C	2A																																		
Y/R	V/G	LG/R	*	*	L/R																																		
2L	2J	2H	2F	2D	2B																																		
GY	W/G	P/L	GY/L	GY/V	R/G																																		
4E	4C	4A																																					
B	LG/R	L/Y																																					
4F	4D	4B																																					
W	L/R	G/B																																					

HARNESS SYMBOL :  (F)  (E)  (R)



F-01
MAIN FUSE BLOCK
0918-102
HEADLIGHT HIGH RELAY
0918-103
HEADLIGHT LOW RELAY
0918-104
TNS RELAY
(REFER TO 00F SECTION)

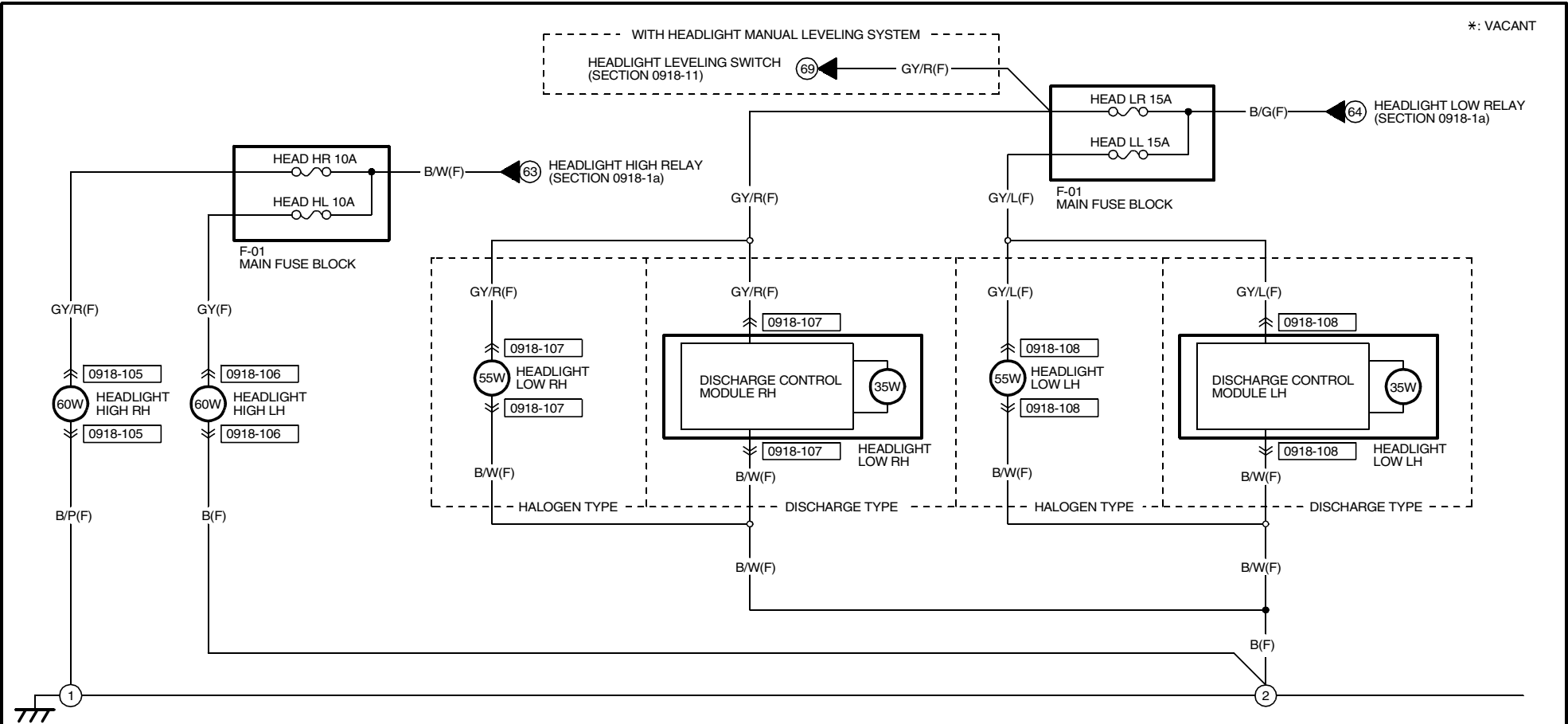


131

HEADLIGHT

0918-1b

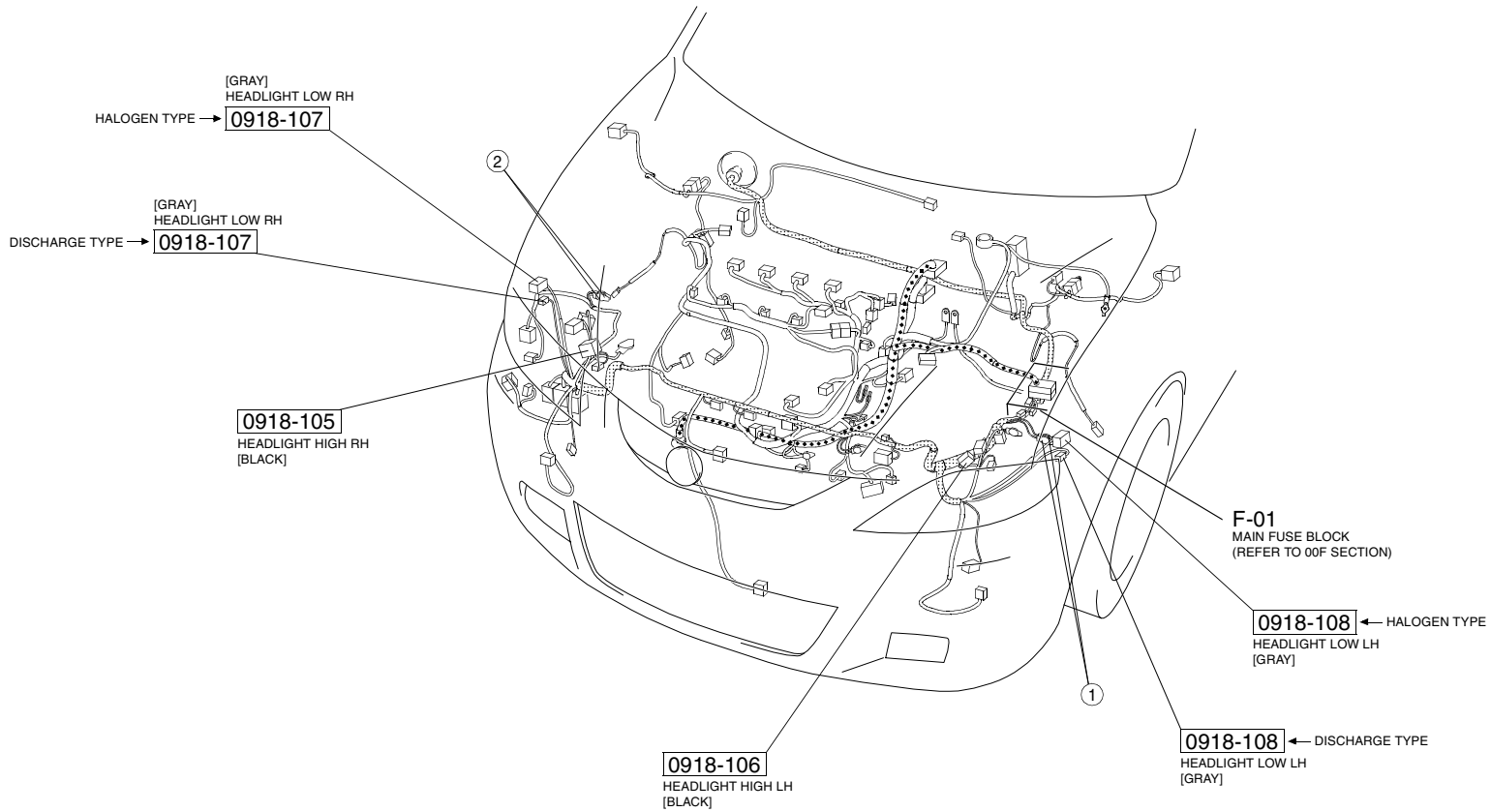
*: VACANT



132

<p>0918-105</p> <p>HEADLIGHT HIGH RH(F)</p>	<p>0918-106</p> <p>HEADLIGHT HIGH LH(F)</p>	<p>0918-107</p> <p>HEADLIGHT LOW RH(F)</p> <p>(HALOGEN TYPE)</p> <p>(DISCHARGE TYPE)</p>	<p>0918-108</p> <p>HEADLIGHT LOW LH(F)</p> <p>(HALOGEN TYPE)</p> <p>(DISCHARGE TYPE)</p>

HARNESS SYMBOL :  (F)  (E)  (R)

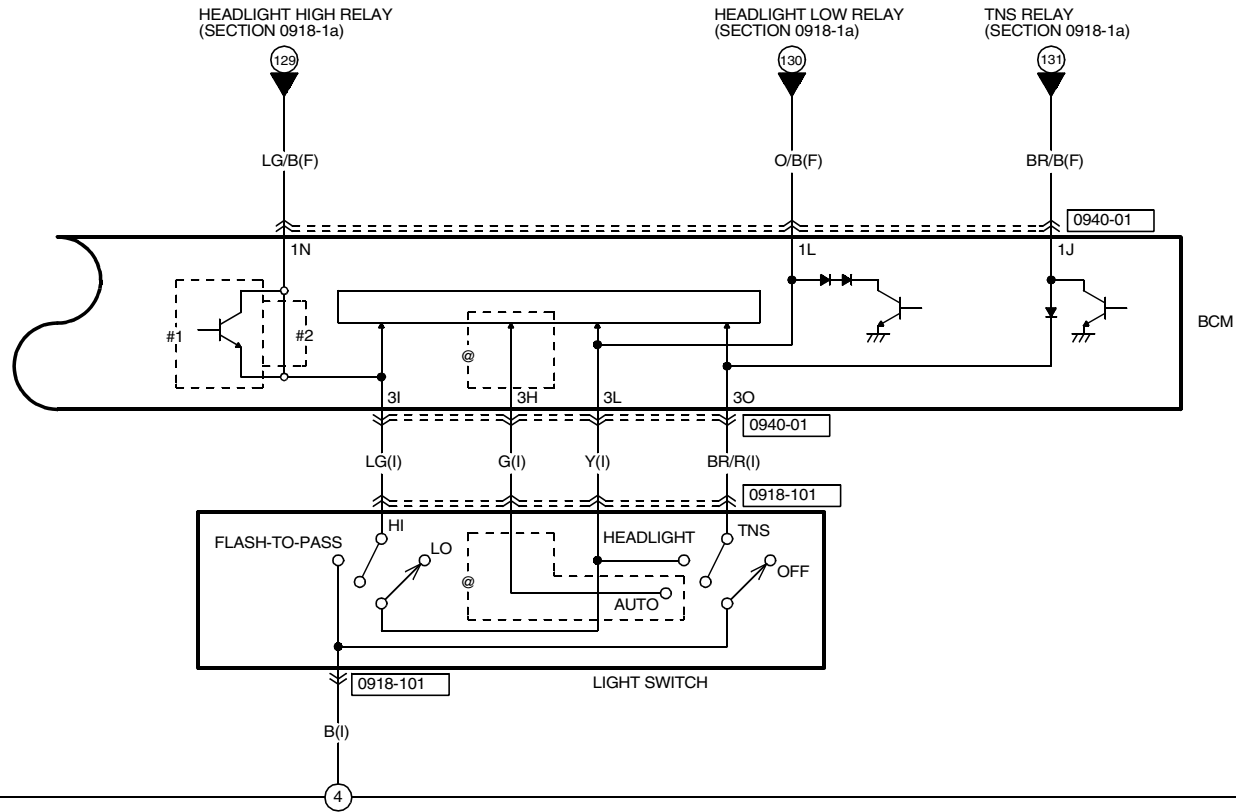


133

HEADLIGHT

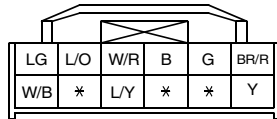
0918-1c

[] AUTO A/C
 @: WITH AUTO LIGHT SYSTEM
 #1: WITH RUNNING LIGHT SYSTEM
 #2: WITHOUT RUNNING LIGHT SYSTEM
 *: VACANT

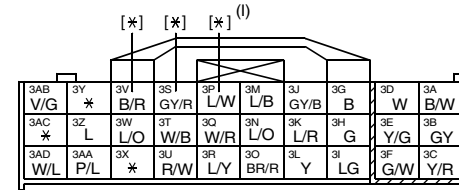
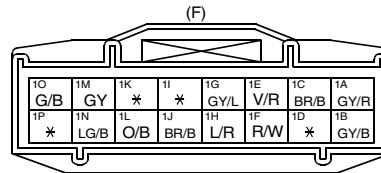


TTT

0918-101
LIGHT SWITCH(I)

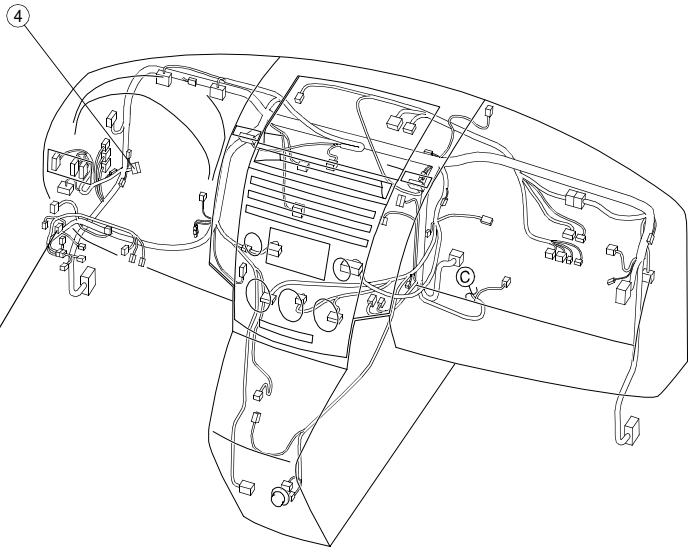


0940-01
BCM

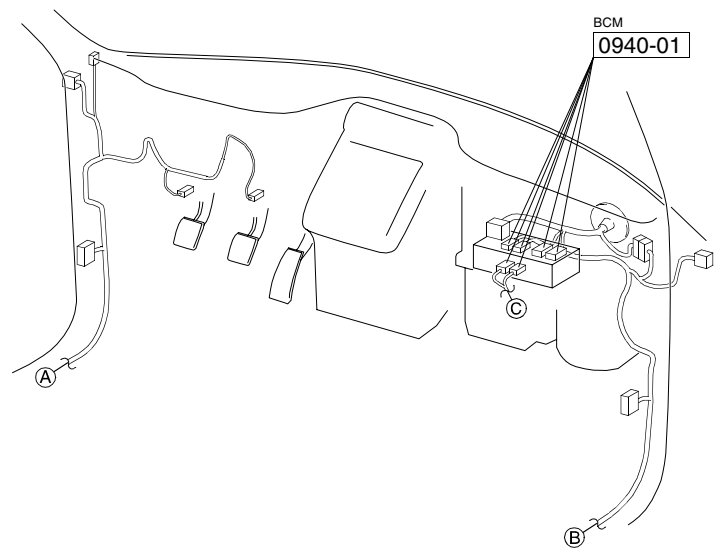


134

HARNESS SYMBOL :  (F)  (E)  (R)



0918-101
LIGHT SWITCH



BCM
0940-01

135