

LIGHTING SYSTEMS

FRONT COMBINATION LIGHT REMOVAL/INSTALLATION

id091800800700

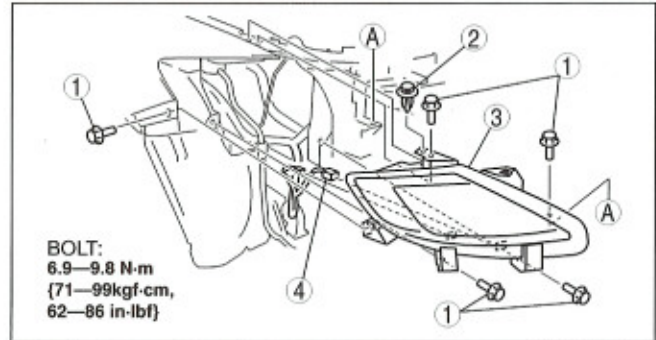
Warning

- **Incorrect servicing of the discharge headlights could result in electrical shock. Before servicing the discharge headlights, always refer to the discharge headlight service warnings. (See 09-18-4 DISCHARGE HEADLIGHT SERVICE WARNINGS.)**

1. Disconnect the negative battery cable.
2. Remove the front bumper. (See 09-10-3 FRONT BUMPER REMOVAL/INSTALLATION.)
3. Remove in the order indicated in the table.

1	Bolt
2	Fastener
3	Front combination light
4	Connector

4. Install in the reverse order of removal.
5. Adjust the headlight aiming. (See 09-18-5 HEADLIGHT AIMING.)

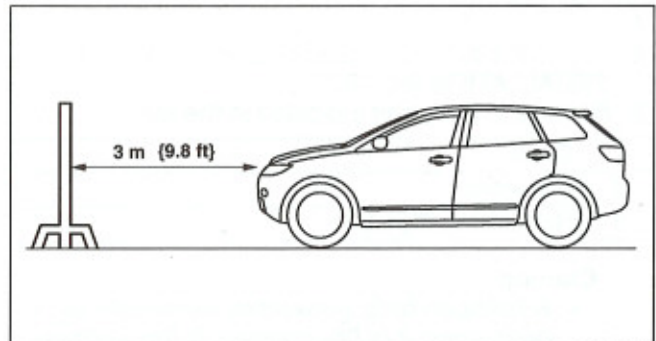


ac9uuw0000422

HEADLIGHT AIMING

id091800800400

1. Adjust the tire pressure to the specification.
2. Position the unloaded vehicle on a flat, level surface.
3. Seat one person in the driver's seat.
4. Position the vehicle straight ahead and perpendicular to the white screen.
5. Set the headlights **3 m {9.8 ft}** from the white screen.
6. Place an object in front of the headlight not being adjusted to block its light beam.
7. Start the engine so that the battery remains charged.
8. Turn on the low-beam headlight.
9. Set the headlight leveling switch to the 0 position. (Vehicles with headlight leveling switch)

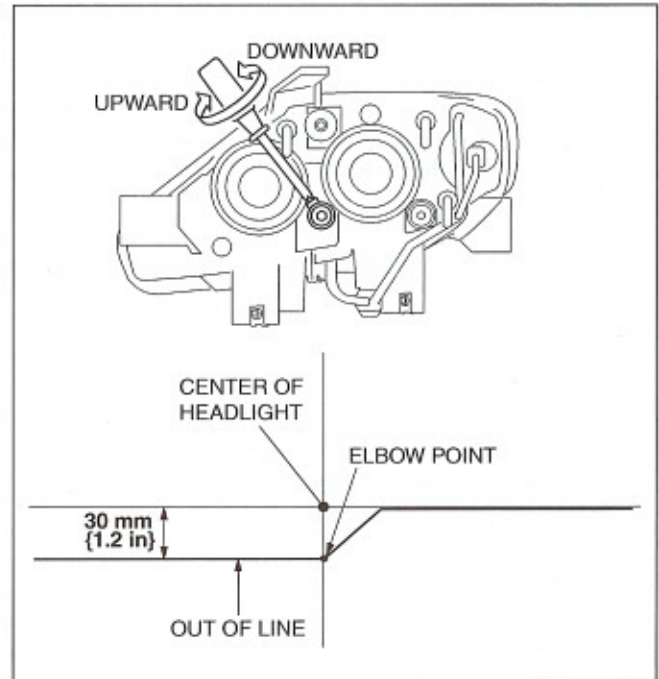


ac9uuw00000577

09-18

LIGHTING SYSTEMS

- Adjust by turning the aiming adjustment screw so that elbow point is in the position shown in the figure.



ac9uuw00000424

HEADLIGHT BULB REMOVAL/INSTALLATION

id091800800500

Low-beam

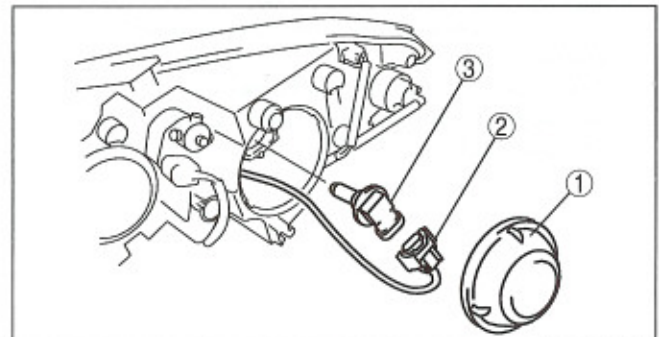
Halogen type

- Disconnect the negative battery cable.
- Remove the coolant reserve tank. (RH only) (See 01-12-7 COOLANT RESERVE TANK REMOVAL/INSTALLATION [MZI-3.5].)
- Remove in the order indicated in the table.

1	Cover
2	Connector
3	Halogen headlight bulb

Caution

- A halogen bulb generates extremely high heat when it is illuminated. If the surface of the bulb is soiled, excessive heat will build up and the life of the bulb will be shortened. When replacing the bulb, hold the metal flange, not the glass.



ac9uuw00000608

- Install in the reverse order of removal.