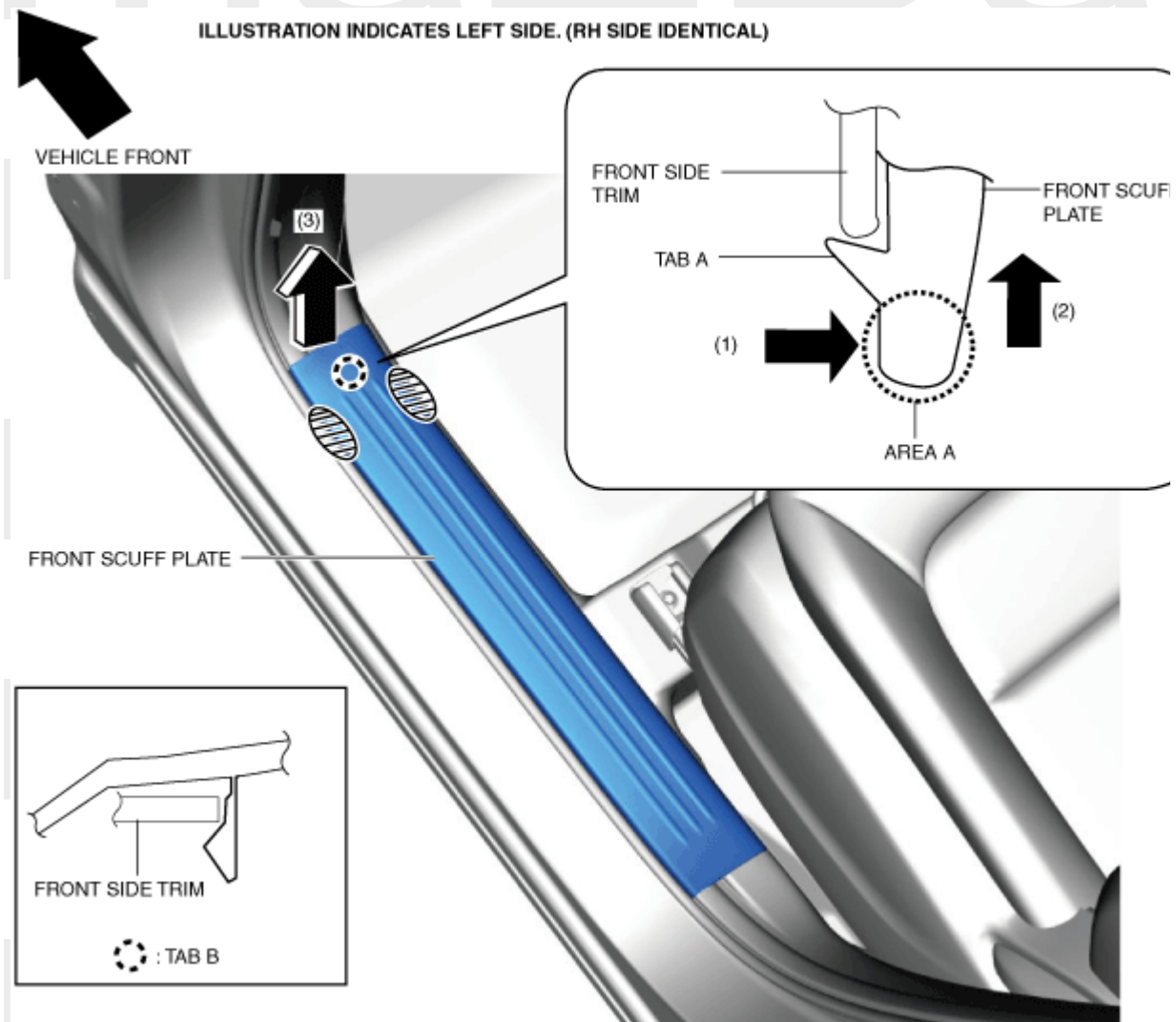


## FRONT SCUFF PLATE REMOVAL/INSTALLATION

id091700801400

id091700801400

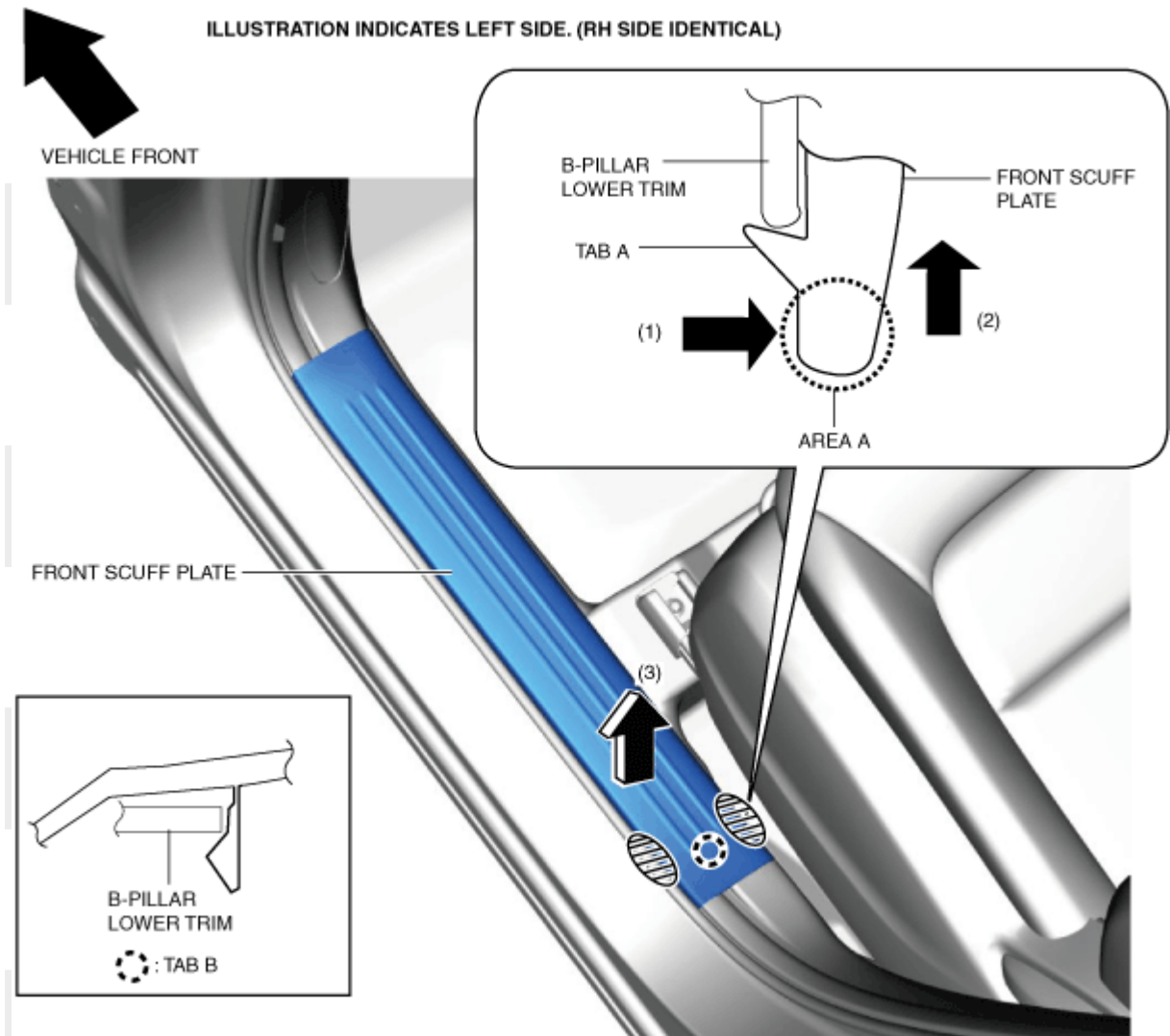
1. Hold area A shown in the figure, open the front scuff plate in the direction of arrow (1), and detach tab A of the front scuff plate from the front side trim while moving it in the direction of arrow (2).



ac5uuw00007544

2. Hold the shaded areas shown in the figure and detach tab B of the front scuff plate from the front side trim while moving the front scuff plate in the direction of arrow (3).

3. Hold area A shown in the figure, open the front scuff plate in the direction of arrow (1), and detach tab A of the front scuff plate from the B-pillar lower trim while moving it in the direction of arrow (2).



ac5uuw00007545

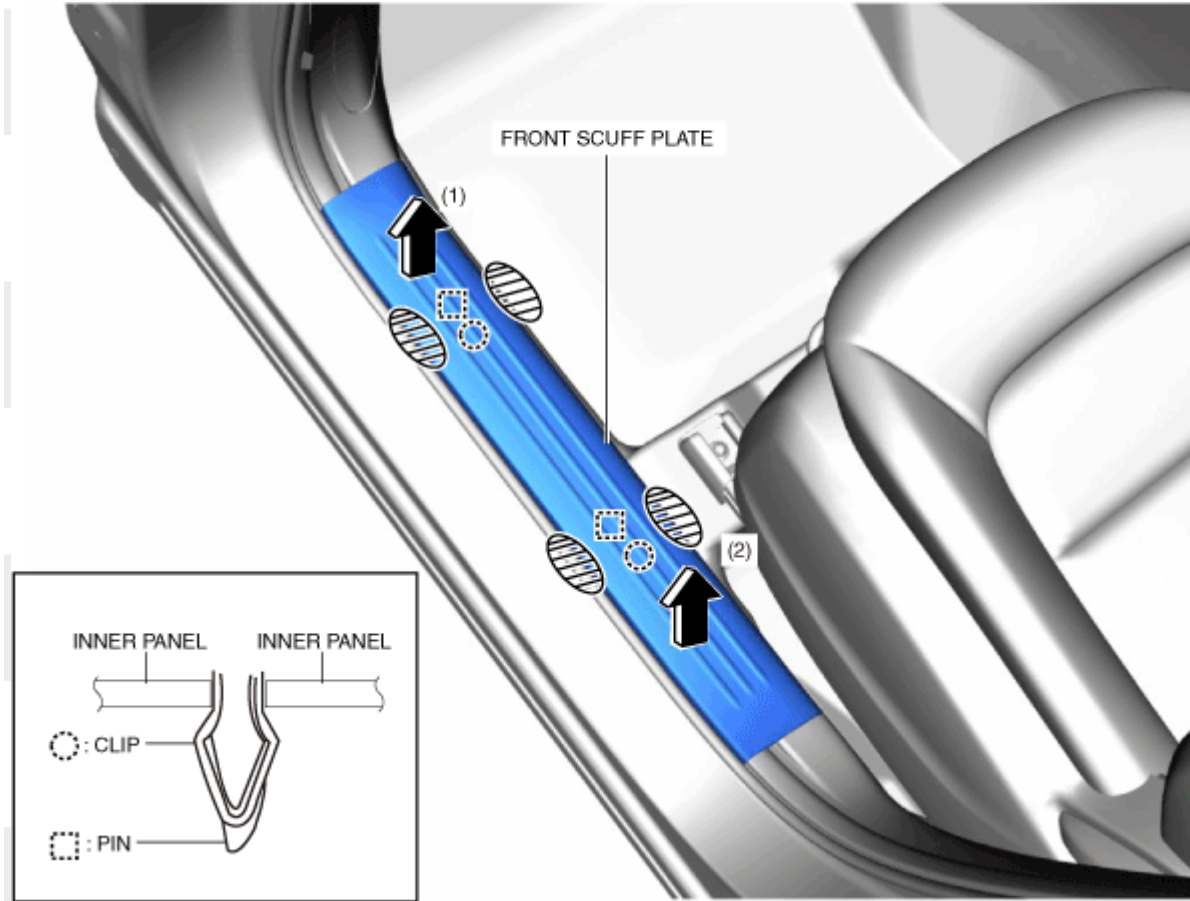
4. Hold the shaded areas shown in the figure and detach tab B of the front scuff plate from the B-pillar lower trim while moving the front scuff plate in the direction of arrow (3).

5. Hold the shaded areas shown in the figure and detach the clip from the inner panel while moving the front scuff plate in the direction of arrow (1).



ILLUSTRATION INDICATES LEFT SIDE. (RH SIDE IDENTICAL)

VEHICLE FRONT



ac5uuw00007546

6. Hold the shaded areas shown in the figure and detach the clip from the inner panel while moving the front scuff plate in the direction of arrow (2).

7. Pull out the pins and remove the front scuff plate.

8. Install in the reverse order of removal.

mazDa