

FRONT BRAKE (DISC)

id041100200700

Purpose/Function

Single piston floating caliper

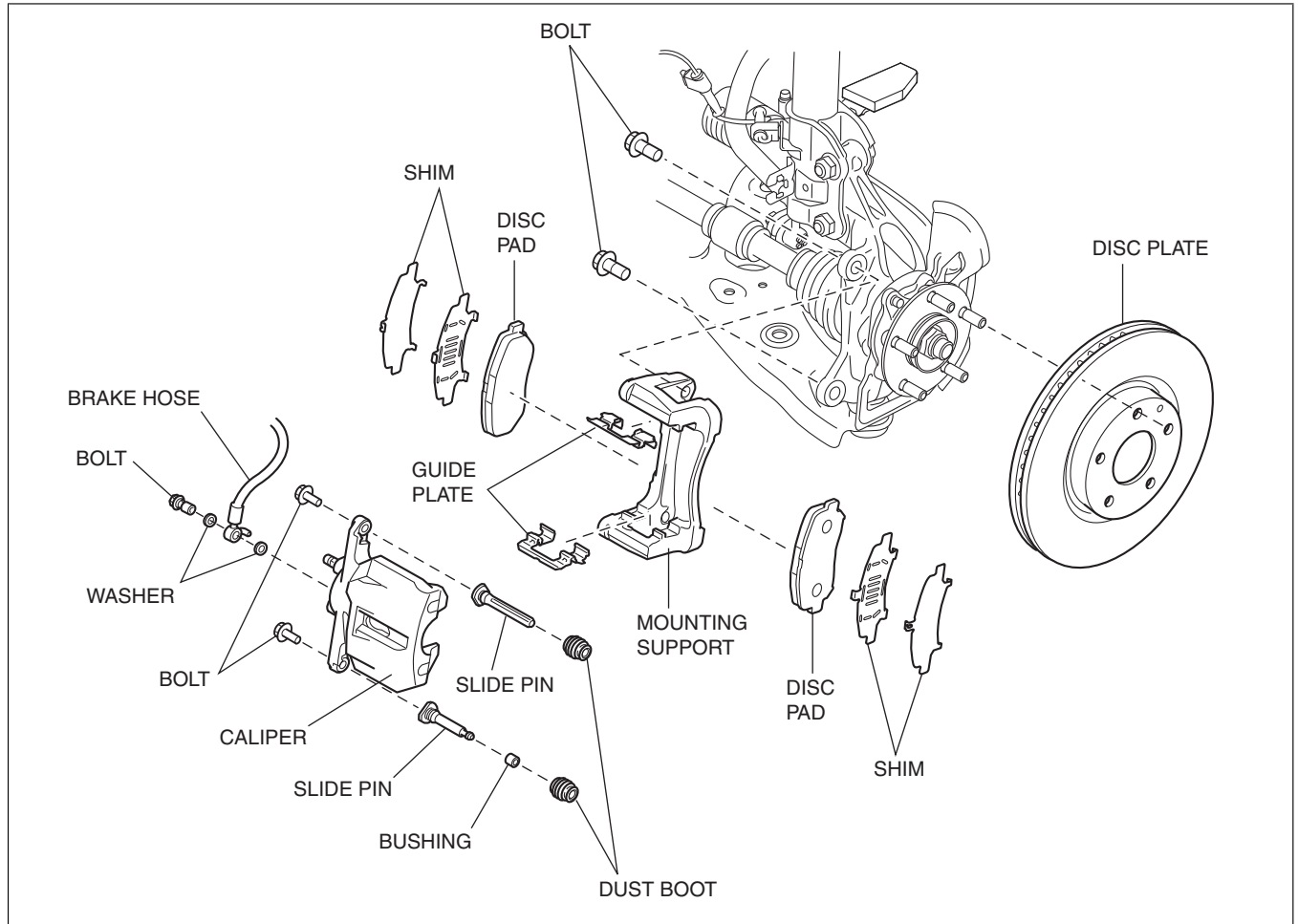
- Large diameter, ventilated disc type front brakes with a **297 mm {11.7 in}** diameter and **28 mm {1.1 in}** thickness have been adopted, improving braking force and fade resistance.

2-piston floating caliper

- Large diameter, ventilated disc type front brakes with a **320 mm {12.6 in}** diameter and **28 mm {1.1 in}** thickness have been adopted, improving braking force and fade resistance.

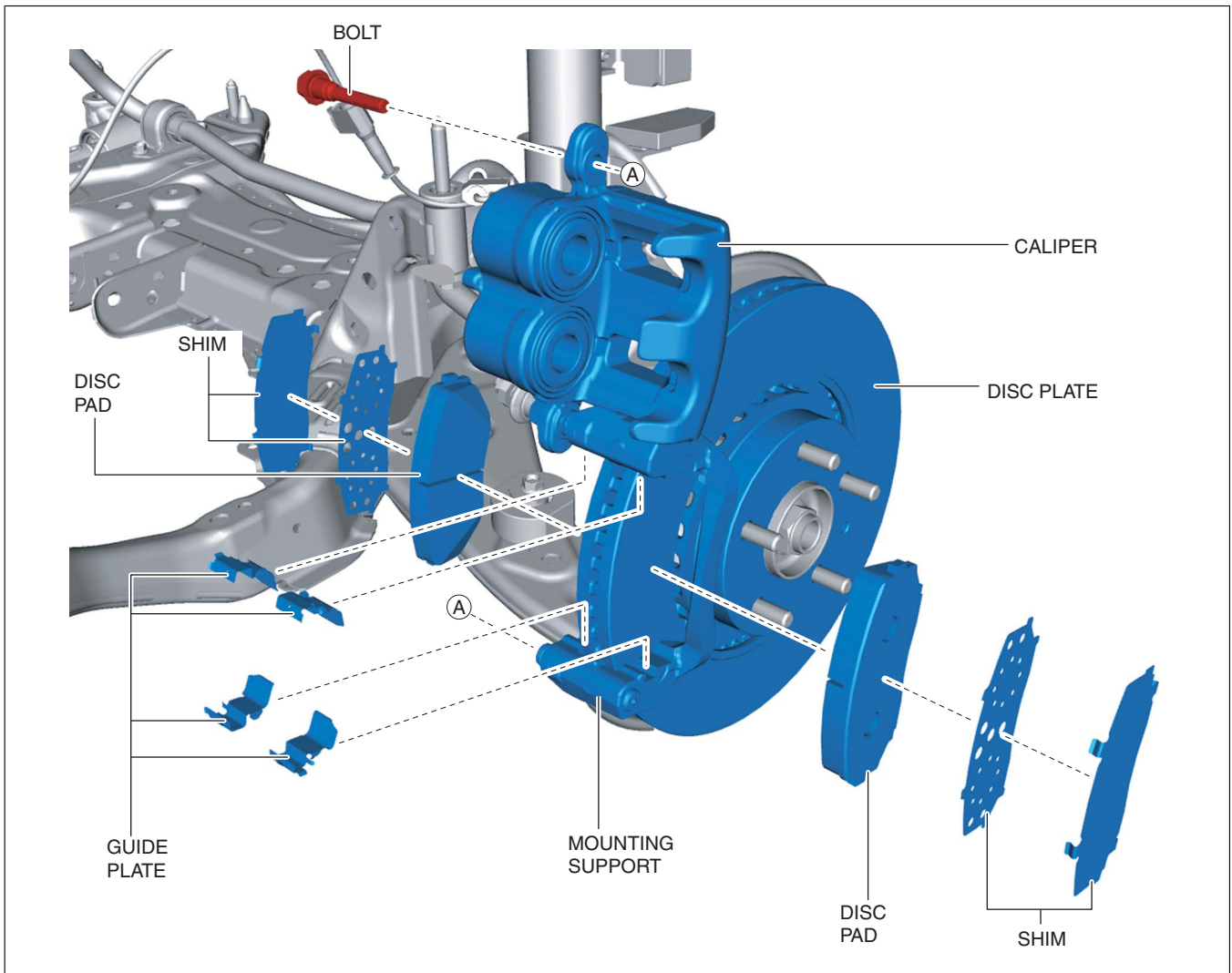
Construction

Single piston floating caliper



ac5uun00002723

2-piston floating caliper



ac5wzn00004254

Operation

- When brake fluid is applied, the piston equipped on one side of the caliper is pushed out and the brake pad is pushed against the disc plate. At the same time, the caliper body moves in the direction opposite of the direction in which the piston is pushed out so as to push the brake pad on the other side and generate brake force.