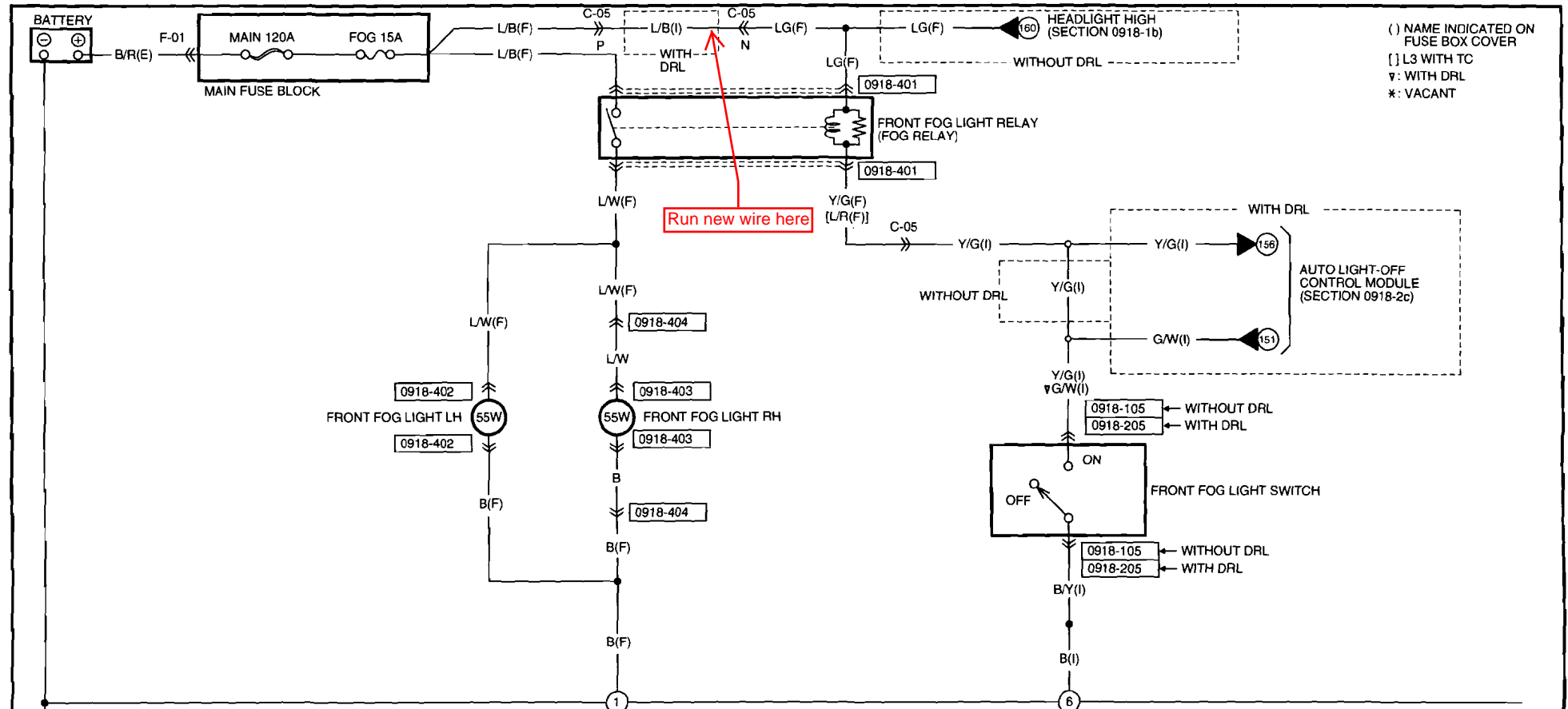


FRONT FOG LIGHT



( ) NAME INDICATED ON FUSE BOX COVER  
 [ ] L3 WITH TC  
 ∇ : WITH DRL  
 \* : VACANT

232

<p>0918-401 FRONT FOG LIGHT RELAY(F)</p> <p>NOTE: SEEN FROM TERMINAL SIDE (A, L3 WITH TC)</p>	<p>NOTE: SEEN FROM TERMINAL SIDE (L3)</p>	<p>0918-402 FRONT FOG LIGHT LH(F)</p>	<p>0918-403 FRONT FOG LIGHT RH (SHORT CORD)</p>	<p>0918-404 FRONT(F)-SHORT CORD</p>	<p>(SHORT CORD)</p>
<p>0918-105 ← WITHOUT DRL                  0918-205 ← WITH DRL                  FRONT FOG LIGHT SWITCH(I)</p>					

Refer to 00C section and 00F section for COMMON CONNECTOR and FUSE BOX.

