





# GENUINE LIFTGATE GARNISH

## INSTALLATION AND USER'S INSTRUCTIONS

Thank you for purchasing a genuine Mazda accessory.  
Before removal and installation, be sure to thoroughly read these instructions.  
Please read the contents of this booklet in order to properly install and use the liftgate garnish.  
Your safety depends on it.  
Keep these instructions with your vehicle records for future reference.

### **WARNING**

- There are several  **WARNING** and  **CAUTION** sections in this booklet concerning safely when installing or removing the liftgate garnish. Always read and follow them in order to prevent injuries, accidents, and possible damage to the vehicle.
  -  **WARNING:** Indicates a situation in which serious injury or death could result if the warning is ignored.
  -  **CAUTION:** Indicates a situation in which bodily injury or damage to the vehicle could result if the caution is ignored.
- Do not modify the liftgate garnish.
- Do not install the liftgate garnish in any way other than described in the following instructions.
- If in any doubt, please ask your Mazda dealer to install the accessory in order to prevent errors in installation.
- If you have any questions about the use of the accessory, ask your Mazda dealer for proper advice before using it.
- Mazda and its suppliers are not responsible for injuries, accidents, and damage to persons and property that arise from the failure of the dealer or installer to follow these instructions.
- To ensure safety and reliability of the work, installation, removal and disposal work must be carried out by an Authorized Mazda Dealership.
- Be careful not to lose removed parts, and be sure that they are kept free from scratches, grease or other dirt.

**PART NAME:** LIFTGATE GARNISH  
**VEHICLE:** Mazda CX-9  
**PART NUMBER:** TD16 V3 075F  
TD19 V3 075F (With advanced keyless system and rear mount camera)

NOTE: If the vehicle has advanced ("Smart") keyless and no camera refer to EPC Section 5180A page 2 of 2 for replacement rear finisher parts.

### NOTE

#### To the dealer

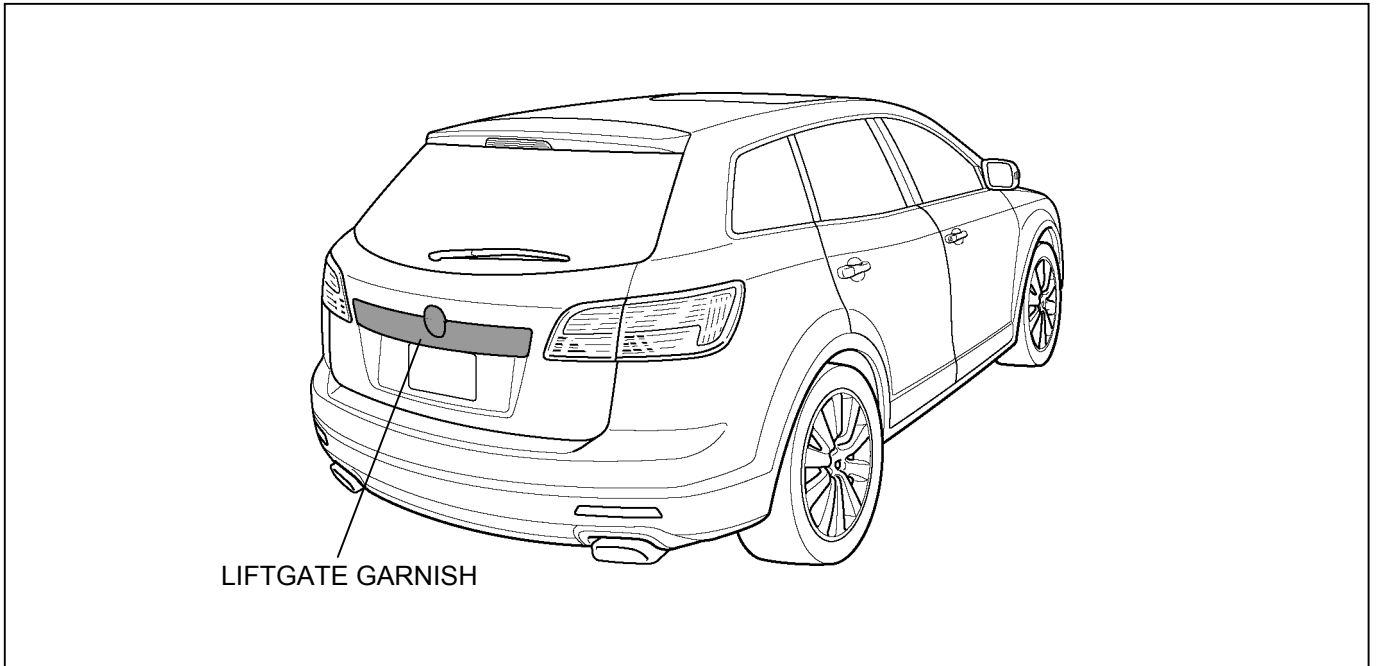
- Please turn over these instructions to the customer after installation.

#### To the customer

- Keep these instructions after installation. The instructions may be necessary for installing other optional parts or removal of this accessory.
- Should the vehicle or this accessory be resold, always leave these instructions with it for the next owner.

# 1. PARTS

## ▼ Installation view

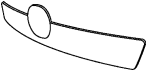



## ▼ Parts list

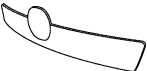

### Note

- Verify that the kit includes all the following parts and that the parts are not dirty, scratched, or damaged.

TD16 V3 075F

Part	Part name / number	Qty.	Part	Part name / number	Qty.
	Liftgate garnish	1		Installation and user's instructions	1

TD19 V3 075F (With advanced keyless system and rear mount camera)

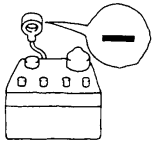
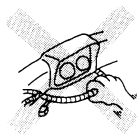

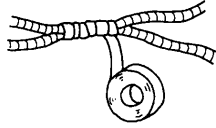
Part	Part name / number	Qty.	Part	Part name / number	Qty.
	Liftgate garnish	1		Installation and user's instructions	1

## 2. BEFORE INSTALLATION

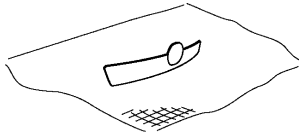
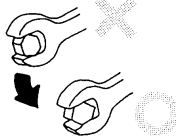

### ■ REQUIRED TOOLS

★Phillips screwdriver   ★Torque wrench   ★Fastener remover   ★Mat   ★Flat blade screwdriver

### ⚠ WARNING

<p>When the negative battery cable is connected during operation, it may cause electric shock or other personal injuries. Disconnect the negative battery cable before removal/installation.</p>	<p>When connecting/disconnecting connectors, grasp the connectors, not the wires. Otherwise a short, an accident from poor contact or fire may occur.</p>	<p>Do not pull the harness with excessive force. Doing so can cause a breakage or a short-related accident, as well as an electrical short or fire.</p>	<p>Secure the harness with the band (part included) so it doesn't dangle. If not, it may cause a short, accident, or fire.</p>
			

### ⚠ CAUTION

<p>Put the removed parts and the parts in the kit on the protective sheet to prevent scratches.</p>	<p>Using improper tools may cause damage and or broken parts. Use the correct tool for the job.</p>	<p>Be sure to cover the vehicle body with protectors or mats to prevent stains, scratches and damage when removing/installing the vehicle parts.</p>
		

### ⚠ WARNING

- When removing/installing the parts, park the vehicle on level ground and apply the side brake securely. Be sure to turn the ignition switch off, otherwise the vehicle can move, causing personal injury or vehicle damage.

### Note

- When the negative battery cable is removed, the clock, radio, trip meters and other memories will be erased. Before performing work, record the content of the memory.
- Refer to the Workshop Manual for removal and installation of vehicle parts.  
Not following the procedures for removal/installation in the Workshop Manual could result in an accident or vehicle malfunction.

### 3. PART REMOVAL

#### ⚠ CAUTION

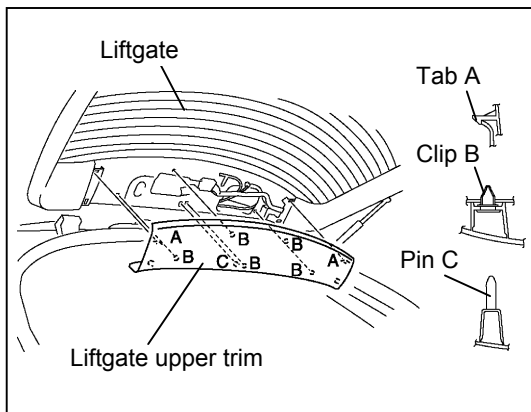
- Be careful not to damage or lose any parts removed from the vehicle since they will be reused.

#### Negative battery cable disconnection

1. Disconnect the negative battery cable and wrap tape around it to insulate.

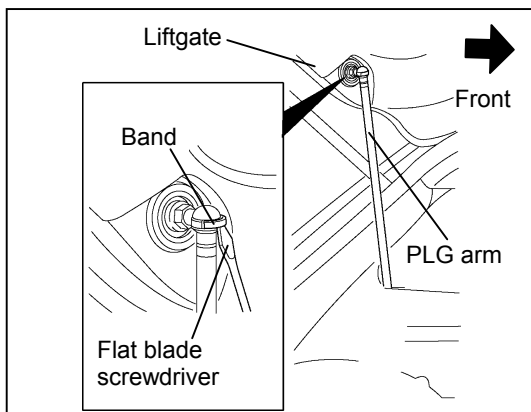
#### ⚠ CAUTION

- When the negative battery cable is connected during operation, it may cause electric shock or other personal injuries. Disconnect the negative battery cable before removal/installation.



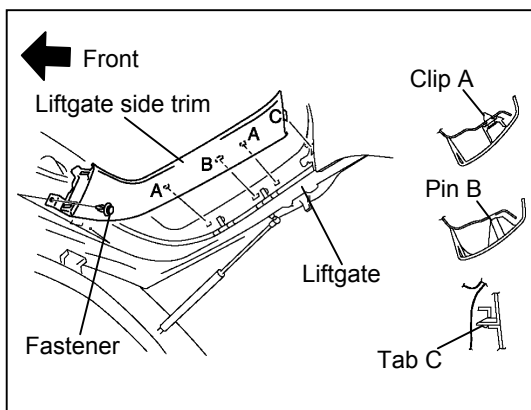
#### Liftgate upper trim removal

1. Pull the liftgate upper trim outward and detach tabs A (2) clips B (5), and pin C (1).
2. Remove the liftgate upper trim.



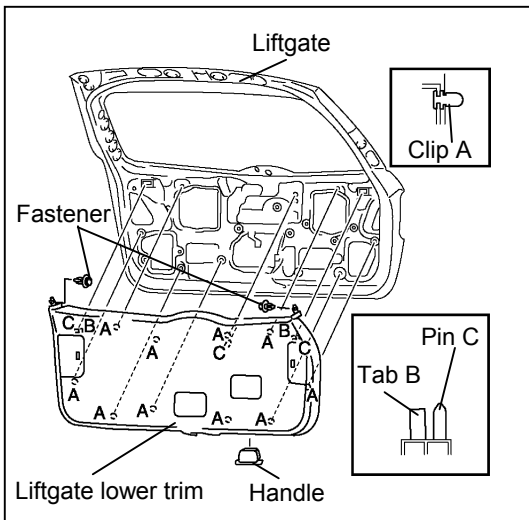
#### Power liftgate (PLG) arm band disconnect

1. Disconnect the PLG arm band with using the flat blade screwdriver.



#### Liftgate side trim removal (left/right)

1. Remove the fastener. (1)
2. Pull the liftgate side trim outward and detach clips A (2), pin B (1), and tab C (1).
3. Remove the liftgate side trim.



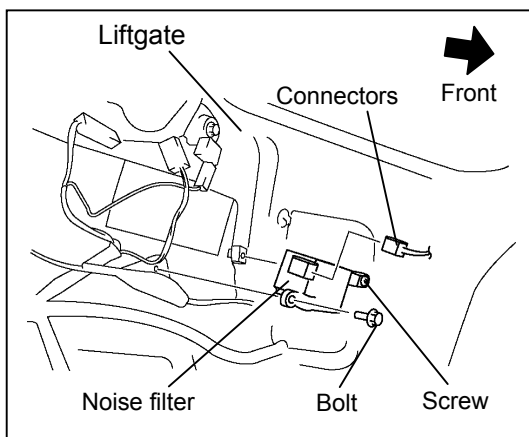
### Liftgate lower trim removal

1. Remove the handle.
2. Remove the fastener. (2)
3. Pull the liftgate lower trim outward and detach clips A (10), tabs B (2), and pins C (2).

#### ⚠ CAUTION

- To prevent damage to the vehicle wiring harness, do not pull the liftgate lower trim excessively.

4. Disconnect the cargo compartment light connector.
5. Disconnect the PLG sub switch connector. (Vehicle with PLG)
6. Remove the liftgate lower trim.

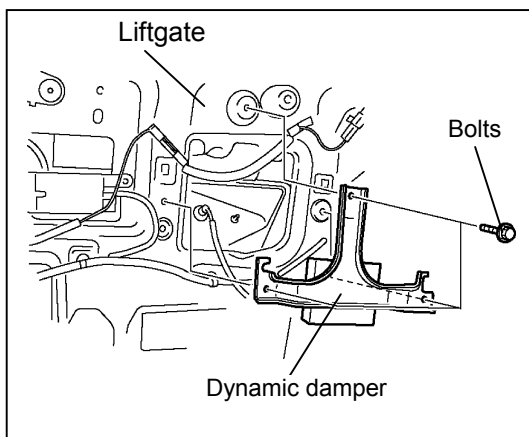


### Noise filter removal

1. Disconnect the noise filter connectors.
2. Remove the screw (1) and the bolt (1), and then remove the noise filter.

#### Tightening torque

**Bolt : 8.8—12.7 N·m {89.8—129.5 kgf·cm, 77.9—112.4 in·lbf}**

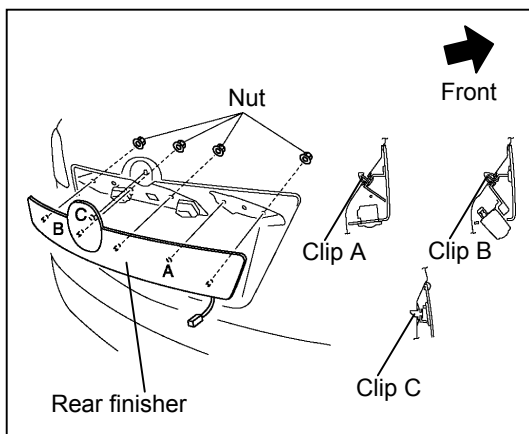


### Dynamic damper removal

1. Remove the bolts (3), then remove the dynamic damper.

#### Tightening torque

**Bolts : 6.9—9.8 N·m {70.4—99.9 kgf·cm, 61.1—86.7 in·lbf}**



### Rear finisher removal

2. Disconnect the request switch connector and the rear mount camera connector. (If equipped)
3. Remove the nuts (4).
4. Pull the rear finisher outward, then disengage clip A (1), clip B (1), and clip C (1) from the body.

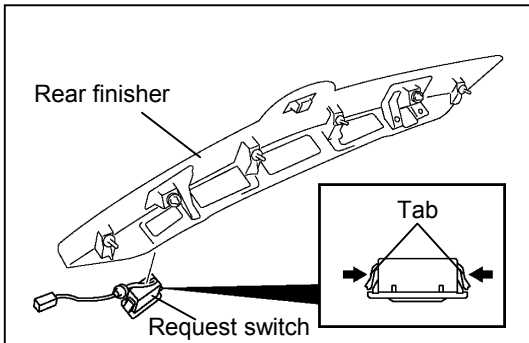
#### ⚠ CAUTION

- The removed rear finisher is not used to install this accessory.

## 4. LIFTGATE GARNISH ASSEMBLY

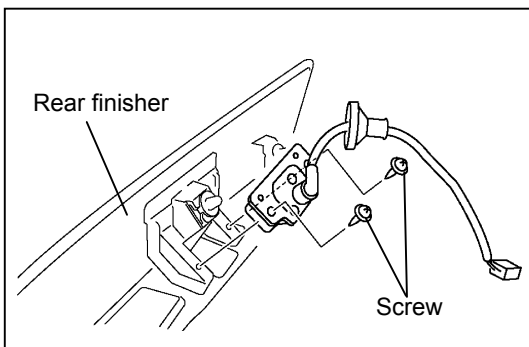
### Note

- For vehicles equipped with the advanced keyless system or the rear mount camera, reassemble the request switch or rear mount camera to the liftgate garnish (Kit accessory) using the following procedure.



### Request switch reassembly (If equipped)

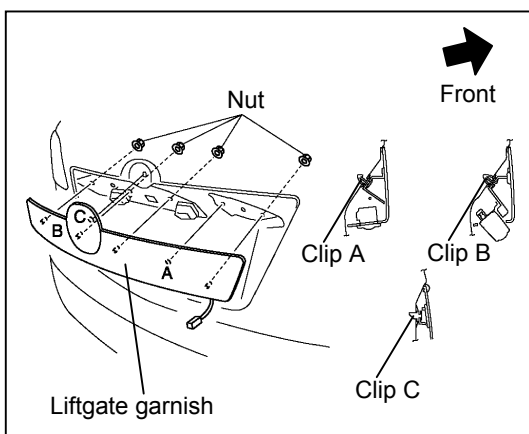
1. Press the tabs and remove the request switch from rear finisher.
2. Reassemble the request switch to the liftgate garnish (Kit accessory) in the reverse order of removal.



### Rear mount camera reassembly (If equipped)

1. Remove the screws (2), then remove the rear mount camera from rear finisher.
2. Reassemble the rear mount camera to the liftgate garnish (Kit accessory) in the reverse order of removal.

## 5. LIFTGATE GARNISH INSTALLATION



1. Install the liftgate garnish in the reverse order of the rear finisher removal.

### Tightening torque

Nuts : 3.9—5.8 N·m {39.6—59.1 kgf·cm, 34.6 – 51.3 in·lbf}

## 6. AFTER INSTALLATION INSPECTION

1. Inspect for any excessive gaps. If there are any gaps, loosen all the nuts and retighten them in the order indicated in the liftgate garnish installation.
2. Verify that the nuts are tightened securely.
3. Install the vehicle parts in the reverse order indicated in “3. PART REMOVAL”.

### CAUTION

- When installing the vehicle parts, inspect the parts for any dirt. If there is any dirt, clean the parts.

## 7. OPERATION CHECK

- After verifying the harness routing, connect the negative battery cable.

### CAUTION

- When the battery is disconnected, the windows will not fully open and close automatically. Perform the following procedure to resume operation:
  1. Turn the ignition switch to the ON position.
  2. Press the switch and fully open the window.
  3. Pull up the switch and continue holding for about 2 seconds to fully close the window.
  4. If the function does not operate even after the ignition switch is turned off, contact an Authorized Mazda Dealer.

## 8. LIFTGATE GARNISH PRECAUTIONS

### CAUTION

- If gasoline, engine coolant, or battery fluid adheres to the painted surface of the resin parts, it will cause discoloration, stains, or paint peeling. Wipe it off with a soft cloth immediately.
- Do not use car polish containing wax compounds. Otherwise, the paint could be damaged.

# INSTALLATION INSPECTION SHEET

**Mazda  
CX-9**

## LIFTGATE GARNISH

**TD16 V3 075F**

**TD17 V3 075F**

(With advanced keyless system)

**TD19 V3 075F**

(With advanced keyless system and rear mount camera)

### A. Inspection after installation

- Inspect the installed / reinstalled parts for the following items.

Inspection Parts	Inspection Items (○)			
	Clearance/Fit	Scratches/ Dirt/ Harness interference	Installation/ Tightening/ Engagement	Operation check
Liftgate garnish	○	○	○	○
Dynamic damper	○	○	○	
Noise filter	○	○	○	
Liftgate lower trim	○	○	○	
Liftgate side trim	○	○	○	
PLG arm band	○	○	○	
Liftgate upper trim	○	○	○	
Negative battery cable	○	○	○	
Windows fully open and close automatically				○

Installation inspection sheet

Date _____, _____, _____					
VIN. _____					
Approved		Checked		Person in charge	

The term of validity for this sheet: 12 months