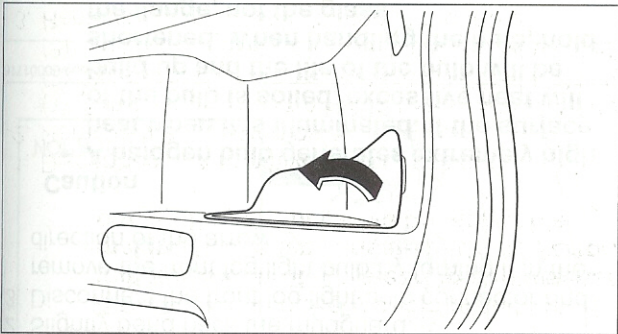


LIGHTING SYSTEMS

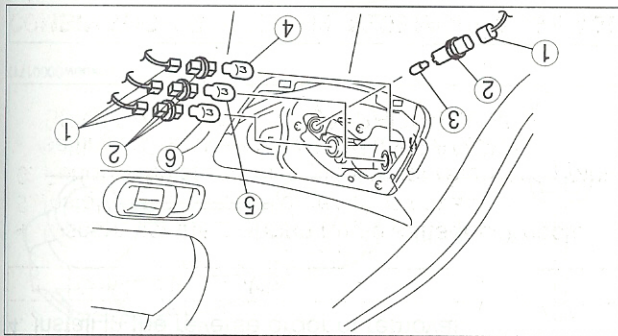
REAR COMBINATION LIGHT BULB REMOVAL/INSTALLATION

1. Disconnect the negative battery cable.
2. Remove the service hole cover.



acxuuw00001722

ID091800805900



acxuuw00001724

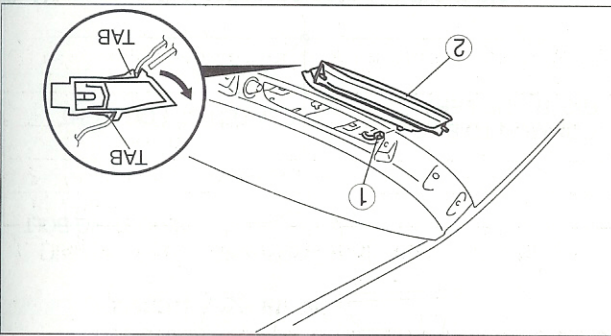
ID091800802000

HIGH-MOUNT BRAKE LIGHT REMOVAL/INSTALLATION

1. Disconnect the negative battery cable.
2. Remove the cover in the interior of the liftgate.
3. Remove in the order indicated in the table.

1	Connector
2	High-mount brake light

4. Install in the reverse order of removal.



acxuuw00001726

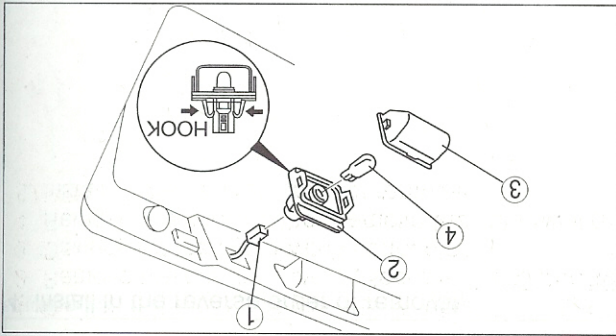
ID091800801100

LICENSE PLATE LIGHT REMOVAL/INSTALLATION

1. Disconnect the negative battery cable.
2. Remove the rear finisher. (See 09-16-3 REAR FINISHER REMOVAL/INSTALLATION.)
3. Remove in the order indicated in the table.

1	Connector
2	License plate light
3	Lens
4	License plate light bulb

4. Install in the reverse order of removal.



acxuuw00001727