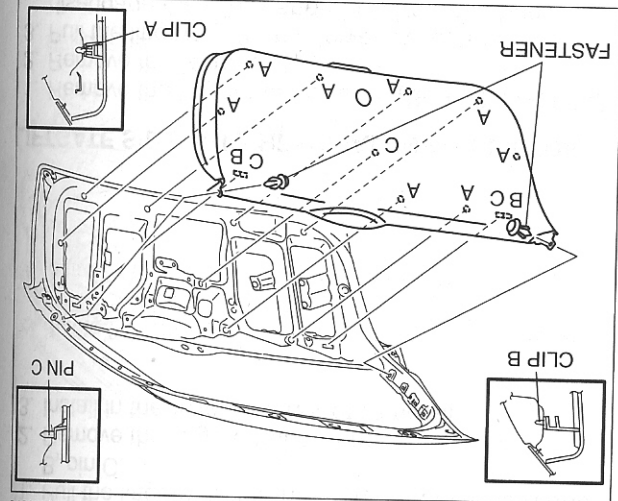
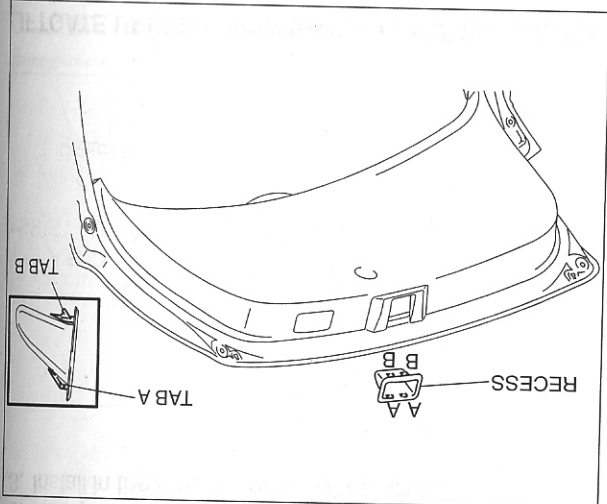


INTERIOR TRIM

LIFTGATE LOWER TRIM REMOVAL/INSTALLATION

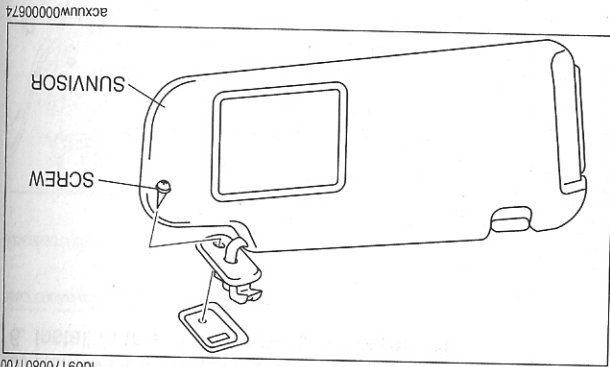
1. Remove the liftgate upper trim. (See 09-17-25 LIFTGATE UPPER TRIM REMOVAL/INSTALLATION)
2. Remove the liftgate side trim. (See 09-17-25 LIFTGATE SIDE TRIM REMOVAL/INSTALLATION)
3. Pull the recess toward you, then remove it.



4. Remove the fasteners.
5. Pull the liftgate lower trim toward you, then disengage the clips A, B and pins C from the body.
6. Remove the liftgate lower trim.
7. Install in the reverse order of removal.

SUNVISOR REMOVAL/INSTALLATION

1. Remove the screw, then the sunvisor.



acxuuw0000674

id091700801700

acxuuw0000871

acxuuw0000870

id091700803800