

GENUINE FOG LAMP KIT

Using (Installation) Instructions

Applicable model : MAZDA CX-9

Part Number : TE69 V7 220

Thank you very much for buying the Mazda Genuine Parts.

Before removal and installation, you are expected to carefully read these instructions.

To use it in its best conditions, be sure to read thoroughly these instructions for full understanding of the contents and to properly use it.

<Cautions and Requests>

- ⚠ CAUTION and ⚠ WARNING marks shown in these instructions indicate safely precautions, which you are requested to strictly comply with during installation and use.

⚠ WARNING : Indicates a situation in which serious injury or death could result if the warning is ignored.

⚠ CAUTION : Indicates a situation in which bodily injury or damage to the vehicle could result in if the caution is ignored.

- Do not install the product in any way other than described in the following instructions.
- Do not modify the product.
- To ensure safety and reliability of the work, installation, removal and disposal work must be carried out by an authorized Mazda Dealership.
- If you have any questions about the use of the accessory, ask your Mazda dealer for proper advice before using it.
- We may not accept the liability for any problems that might have occurred due to incompliance with these instructions.
- Be careful not to lose removed parts, and be sure they are kept free from scratches, grease or other dirt.

To the dealer

Please turn over these instructions to the customer after installation.

To the customer

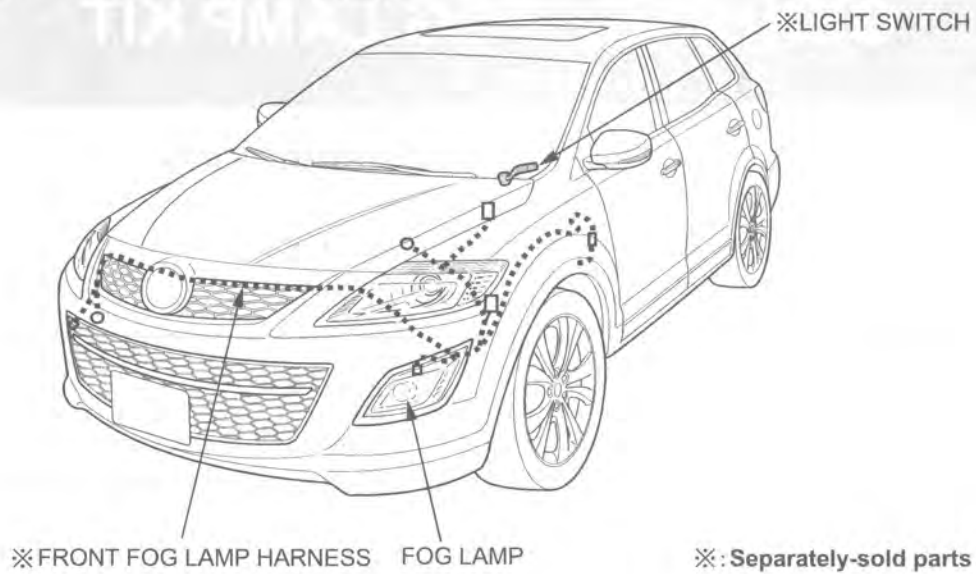
- Keep these instructions after installation. The instructions may be necessary for installing other optional parts or removal of this accessory.
- Should the vehicle or this accessory be resold, always leave these instructions with it for the next owner.

Mazda Motor Corporation

3-1, Shinchi, Fuchu-cho, Aki-gun Hiroshima

1

AS-COMPLETED VIEW



2

COMPONENTS



CAUTION

Make sure that there is no missing component based on the following parts list and check the components for any dirt, scratches or other damage.

No.	Part name	Q'ty
①	Fog lamp (RH)	1
②	Fog lamp (LH)	1
③	Lamp hole cover (RH)	1
④	Lamp hole cover (LH)	1
⑤	Tapping screw	2
⑥	Using (installation) instructions	1
⑦	Installation inspection sheet	1



※For fog lamp installation, the following separately-sold parts are necessary.

- Light switch
- Front fog lamp harness

3

PREPARATORY WORK BEFORE INSTALLATION

Tools used (Have them ready at hand before starting the work)

- ◆ Philips screwdriver
- ◆ Protective sheet
- ◆ Torque wrench
- ◆ Wheel block



WARNING

- Make sure that operation is carried out on the level ground with the parking brake and chock block securely set. Otherwise, vehicle may start to move or injury may result.



WARNING

<p>Disconnect the negative terminal of the battery and keep the terminal away from the battery. Otherwise short circuit, and accidents, electric shocks or fire may occur.</p>	<p>Hold the connectors when disconnecting / connecting them to ensure the disconnection / connection. Otherwise, accident or fire caused by breaking or contact failure may occur.</p>	<p>Avoid exercising excessive force when pulling a wiring harness. Otherwise, accident caused by breaking or short-circuit, electrification or fire may occur.</p>



CAUTION

<p>Use right tools appropriate for the purpose and size of the work to be done to ensure proper execution of the work.</p>	<p>Use a mat or any other protective material when removing / installing components.</p>	<p>Place the removed parts and components on a protective sheet or equivalent to avoid any damage on such parts/components.</p>



CAUTION

- When the negative terminal of the battery gets disconnected, the memory of clock, radio and trip counter will be erased. Record the memory contents before starting the work.
- **When tightening a bolt, nut and screw, be sure to use torque wrench and tighten properly. Otherwise, improper connection, breakage or damage of the installed parts may occur.**

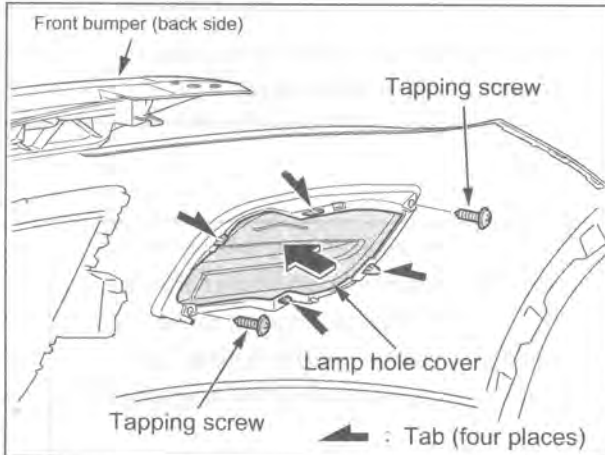
NOTE

- As for the removal or installation of vehicle parts, please refer to the vehicle workshop manual.

REMOVING THE VEHICLE COMPONENTS

CAUTION

- Removing the front bumper is required. Refer to the installation instructions included in Front fog lamp harness kit that is sold separately.



Remove the lamp hole cover (RH/LH)

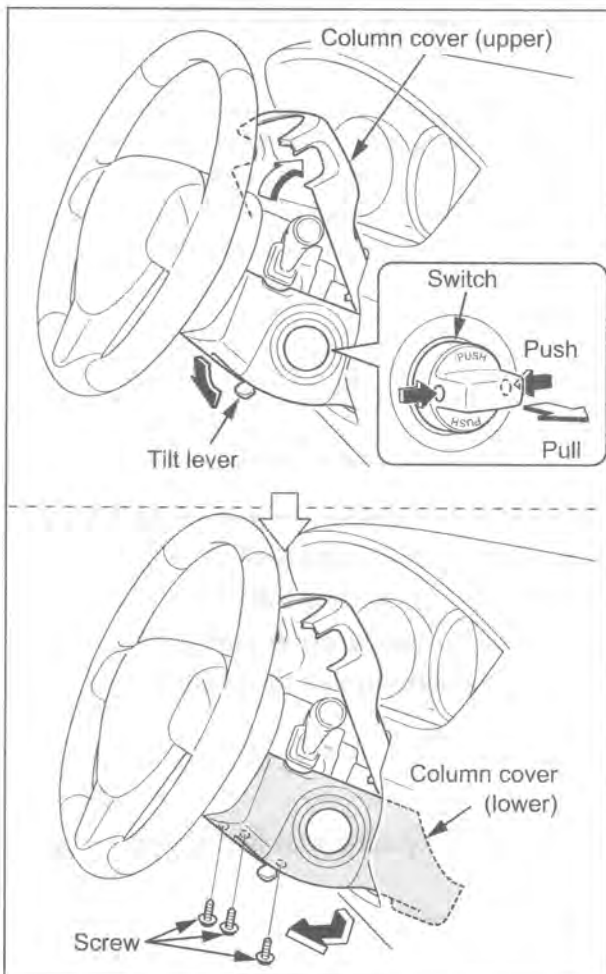
- Remove the tapping screws (two places).
- Disengage the tabs (four places) and remove the lamp hole cover from the front bumper in the direction of the arrow.
(Perform the same procedure on the opposite side)

CAUTION

- Be careful not to lose or damage the removed tapping screws, since they are to be reinstalled later.

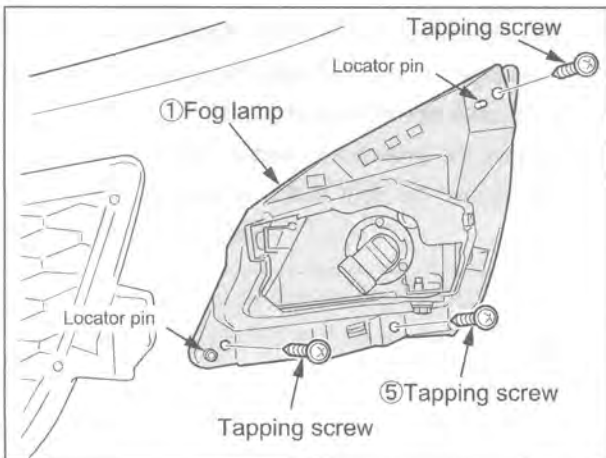
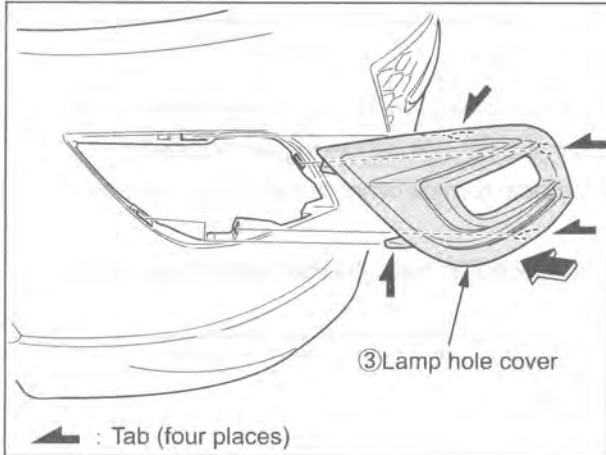
NOTE

- The removed lamp hole cover is not going to be used with this product.



Remove the column cover (lower)

- Push the buttons on both sides of the switch to remove it.
(Vehicles with advanced key less system only)
- Release the tilt lever and lock the lever with the steering wheel pulling down.
- Pull up the column cover (upper) and disconnect it from the column cover (lower).
- Remove the screws (three places).
- Release the tilt lever.
- Turn the steering wheel up and remove the column cover (lower) in the direction of the arrow.

**NOTE**

- The procedures shown here is for the right-hand side only. Use the same procedure for the left-hand side parts.

Install the lamp hole cover (RH/LH)

1. Align the tabs (four places) of the ③ lamp hole cover with the front bumper and install the ③ lamp hole cover onto the front bumper.

Install the fog lamp (RH/LH)

1. Align the ① fog lamp with the locator pins (two places) for the fog lamp.
2. Install it onto the front bumper with using ⑤ tapping screw (one place) and the tapping screws (two places : reused)

Tightening torque

Tapping screw : 0.3~1.5N · m

CAUTION

- If you fasten with those torques other than specified, the fog lamp might be broken or fallen off. Be careful to fasten accurately.

6

REINSTALLING THE VEHICLE COMPONENTS

Restore the front bumper

1. Connect the connector of the fog lamp harness to the ① fog lamp. (Perform the same procedure on the opposite side.)



CAUTION

- When connecting the harnesses, insert the connectors firmly until they lock securely into place.

2. Install the front bumper in the reverse order of removing it.



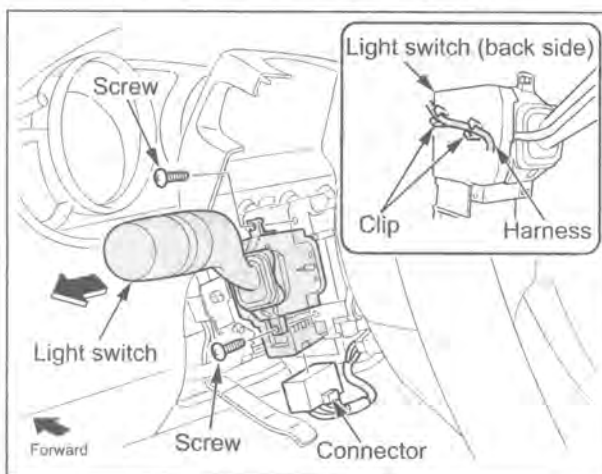
CAUTION

- For more information, refer to the installation instructions that is included in Front fog lamp harness kit.
- Install the front under cover after the connection of the fog lamp harness connector and the completion of aiming adjustment.
- Tighten the bolt securely. If the bolt is not tightened to the specified torques, the front bumper may become damaged or fall off.

7

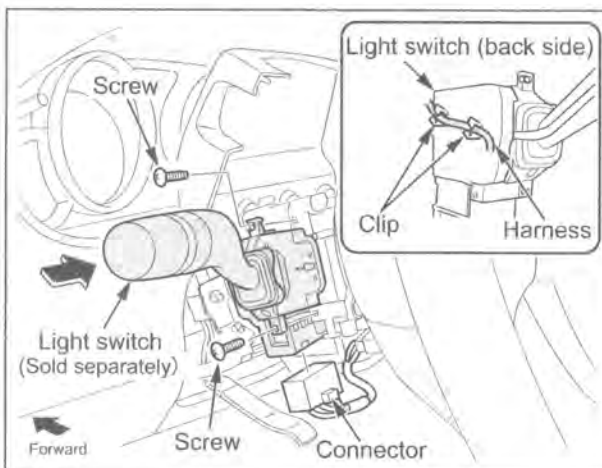
INSTALLING THE LIGHT SWITCH

(※This item is sold separately)



Remove the existing light switch

1. Disconnect the connector of the light switch.
2. Disengage the harness from the clips (two places) on the back side of the light switch.
3. Remove the screws (two places : to be reused later) and remove the light switch in the direction of the arrow.



Install the light switch (sold separately)

1. Insert the light switch and restore the harness back to the clips on the back side of the light switch.
2. Install it with using the two screws which were removed in the previous procedure.
3. Install the connector.
4. Carry out an operation check. (Refer to "8. Operation checking".)

Reinstall the column cover

1. Reinstall the column cover in the reverse order of 「Remove the column cover (lower)」(page 4).

8

OPERATION CHECK

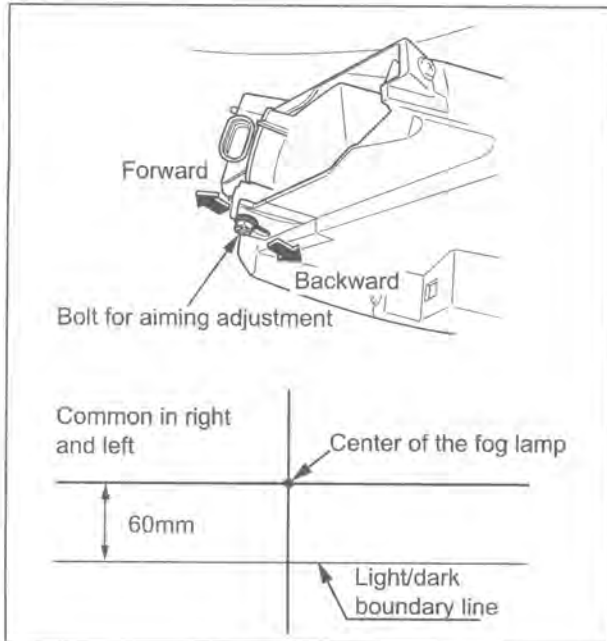
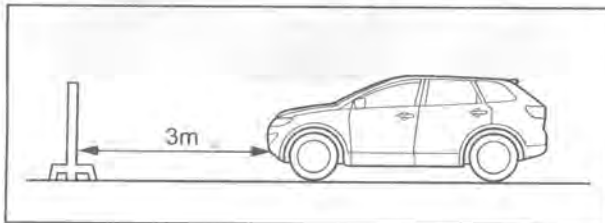


CAUTION

- Carry out an operation check according to the installation instructions included in the Front fog lamp harness kit.

9

AIMING ADJUSTMENT



1. Inflate the tires to the standard pressure.
2. Set the vehicle to the unladen condition, and park it on a level surface.
3. Have one person sit in the driver's seat.
4. Place a screen perpendicularly in front of the vehicle so that there is a distance of 3 meters between the screen and the fog lamps.
5. Cover the fog lamp that is not being adjusted in order to block the light.
6. Start the engine and charge the battery.
7. Turn on the fog lamp.
8. If operation is normal, this completes the procedure. (If not, proceed to the item 9)
9. Loosen the aiming adjustment bolt and adjust the position of the fog lamp so that it is within the light/dark boundary line as shown in the diagram. Then tighten the bolt.

Tightening torque

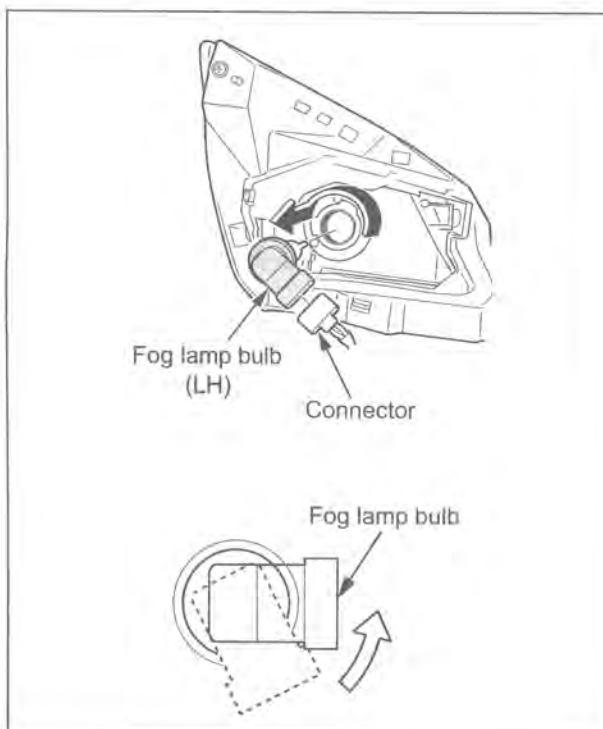
Aiming adjustment bolt : 4.4~5.3N · m

CAUTION

- Because any looseness in the adjustment bolt can result in the aiming becoming misaligned, be sure to turn the bolt in the direction of tightening when adjusting.
- Tighten the bolt securely. If the bolt is not tightened to the specified torques, the fog lamp may become damaged or fall off.

10

FOG LAMP BULB REPLACEMENT


WARNING

- Always be sure to use the properly-specified bulb. If an incorrect bulb is used, it may result in fire.

CAUTION

- Replacement of the bulbs should be carried out by a properly-qualified technician.
- Use the following bulbs as replacement fog lamp bulbs. **Part No. : 99703 7550 [HB4 12V 51W]**
- When replacing a light bulb, do not touch the glass part of the light bulb. Otherwise, bulb life may be decreased.

1. Make sure the headlight switch is off.
2. Remove the front under cover.
3. Remove the connector from the fog lamp by pushing the tab.
4. Turn the fog lamp bulb in the direction of the arrow and remove it. (See the paragraph of "Owner's maintenance" in the owner's manual.)
5. Install a new bulb in the reverse order of removing the old one.
6. Connect the connector to the fog lamp.

Installation inspection sheet

【To be used by installation workshop】

MAZDA CX-9	FOG LAMP KIT
	TE69 V7 220

A. Reinstalling the vehicle components

- Install in the reverse order of "4. REMOVING THE VEHICLE COMPONENTS".



CAUTION

- After installing the vehicle parts, check for dirt.
Clean any dirty parts.
- Check if the connectors have been connected properly.

CHECK

--

B. Inspection items after installation

- Inspect the installed parts and removed and re-installed parts following the items below.

Sections to be checked	Inspection item (circle)					
	Gap / fit & finish	Scratch, stain, harness interference	Tightening & engagement	Function	Aiming adjustment	Operation check
Fog lamp (RH/LH)	○	○	○		○	○
Lamp hole cover	○	○	○			
Light switch		○	○	○		○
Column cover	○	○	○			

C. Priority check points

No.	Item	Check
1	Check if the fog lamps work properly.	

【Important points】

Operation No.	Part name	Specified torque	Torque value at the time of	Inspector (name)
5 -2 (page 5)	Tapping screw	0.3~1.5 N·m	N·m	

Fog lamp kit installation inspection sheet

Date		(year/month/day):			
VIN No.					
Approved		Checked		Prepared	

※Retention period of the sheet:12 months