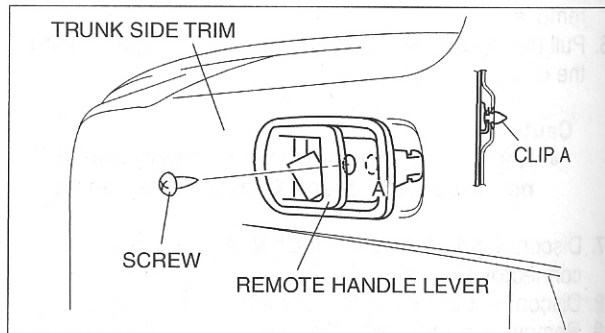


INTERIOR TRIM

TRUNK SIDE TRIM REMOVAL/INSTALLATION

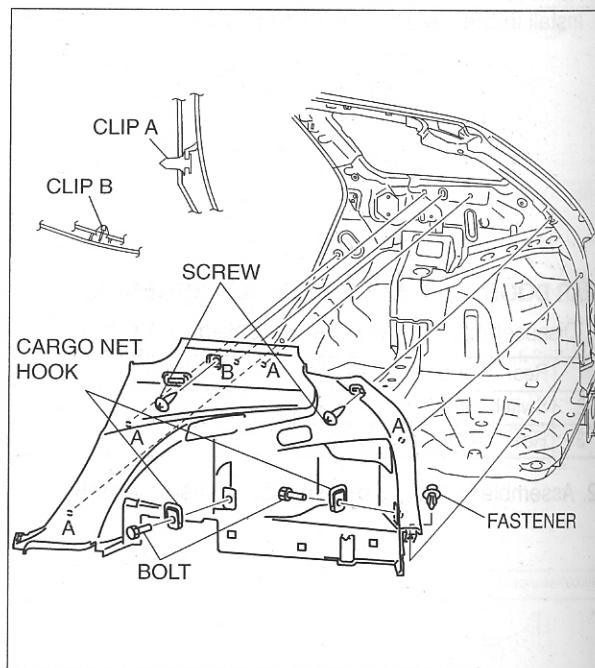
id09170083100

1. Remove the following parts:
 - (1) Rear seat (See 09-13-7 REAR SEAT REMOVAL/INSTALLATION.)
 - (2) Rear scuff plate inner. (See 09-17-19 REAR SCUFF PLATE REMOVAL/INSTALLATION.)
 - (3) Sub trunk box (See 09-17-25 SUB TRUNK BOX REMOVAL/INSTALLATION.)
 - (4) Trunk end trim (See 09-17-24 TRUNK END TRIM REMOVAL/INSTALLATION.)
2. Remove the screw.
3. Pull the remote handle lever outward and detach clip A.



acxuuw0000883

4. Remove the screws and the fastener.
5. Remove the bolt, then remove the cargo net hook.
6. Pull the trunk side trim outward and detach clips A and B.
7. Remove the trunk side trim.
8. Install in the reverse order of removal.

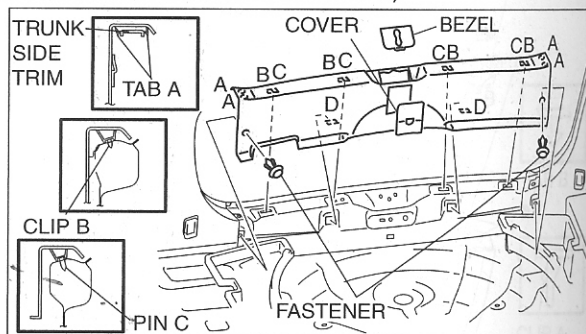


acxuuw0000866

TRUNK END TRIM REMOVAL/INSTALLATION

id091700803400

1. Remove the sub trunk box. (See 09-17-25 SUB TRUNK BOX REMOVAL/INSTALLATION)
2. Remove the fasteners.
3. Pull the trunk end trim upward, then disengage tabs A, clips B and pins C.
4. Remove the tabs D.
5. Remove the trunk end trim.
6. Remove the bezel.
7. Remove the cover.
8. Install in the reverse order of removal.



acxuuw0000867