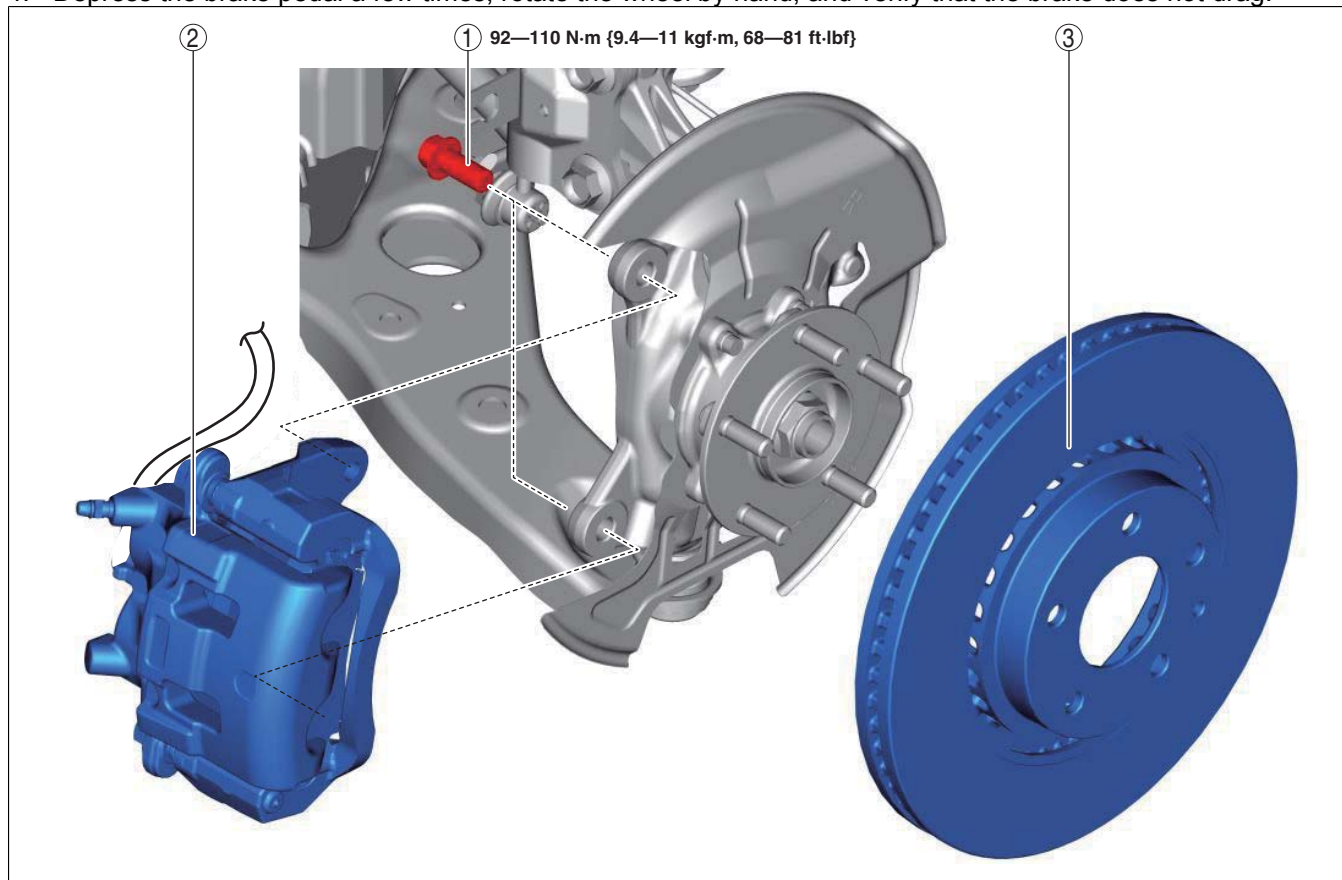


FRONT BRAKE DISC REMOVAL/INSTALLATION [WITH 2-PISTON FLOATING CALIPER]

id041100001w5

1. Remove the wheel and tire. (See WHEEL AND TIRE REMOVAL/INSTALLATION.)
2. Remove in the order indicated in the table.
3. Install in the reverse order of removal.
4. Depress the brake pedal a few times, rotate the wheel by hand, and verify that the brake does not drag.



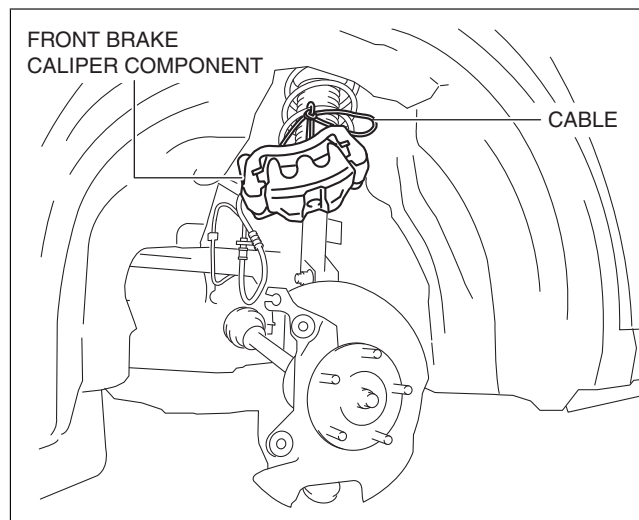
ac5wzw00009644

1	Bolt
2	Front brake caliper component (See Front Brake Caliper Component Removal Note.) (See Front Brake Caliper Component Installation Note.)

3	Disc plate
---	------------

Front Brake Caliper Component Removal Note

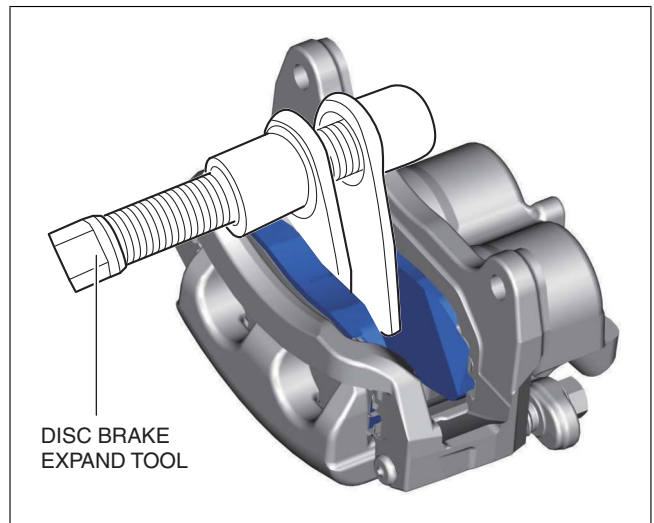
1. Remove the front brake caliper component and suspend it in a place out of the way using a cable.



ac5wzw00009645

Front Brake Caliper Component Installation Note

1. Push the piston in using the commercially available disc brake expand tool.
2. Install the front brake caliper component.



ac5wzw00009646