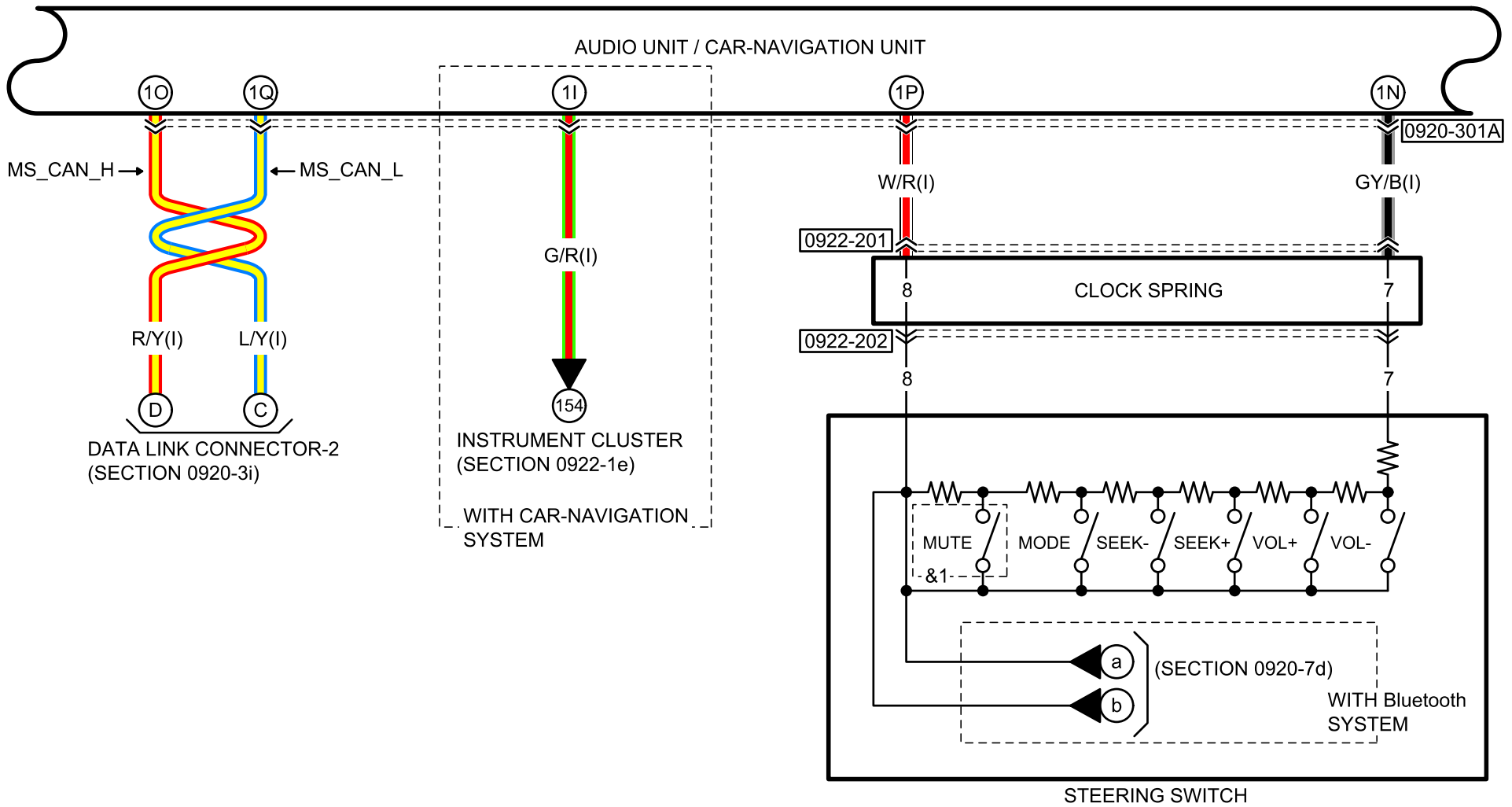


&1: WITHOUT Bluetooth SYSTEM

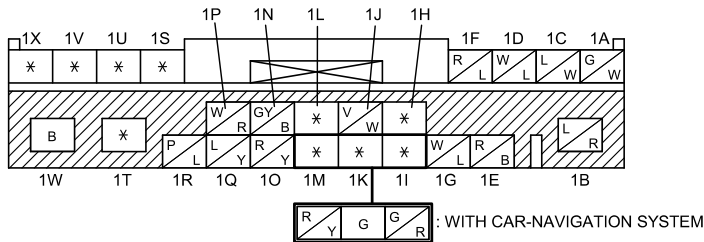


2012 Mazda CX-9
AUDIO SYSTEM (Bose® TYPE AUDIO)

0920-3b

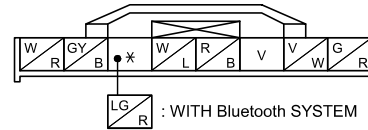
0920-301A

AUDIO UNIT / CAR-NAVIGATION UNIT



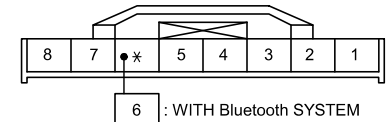
0922-201

CLOCK SPRING



0922-202

CRUISE CONTROL SWITCH /
STEERING SWITCH /
STEERING SWITCH ILLUMINATION /
CRUISE CONTROL SWITCH ILLUMINATION /
CLOCK SPRING



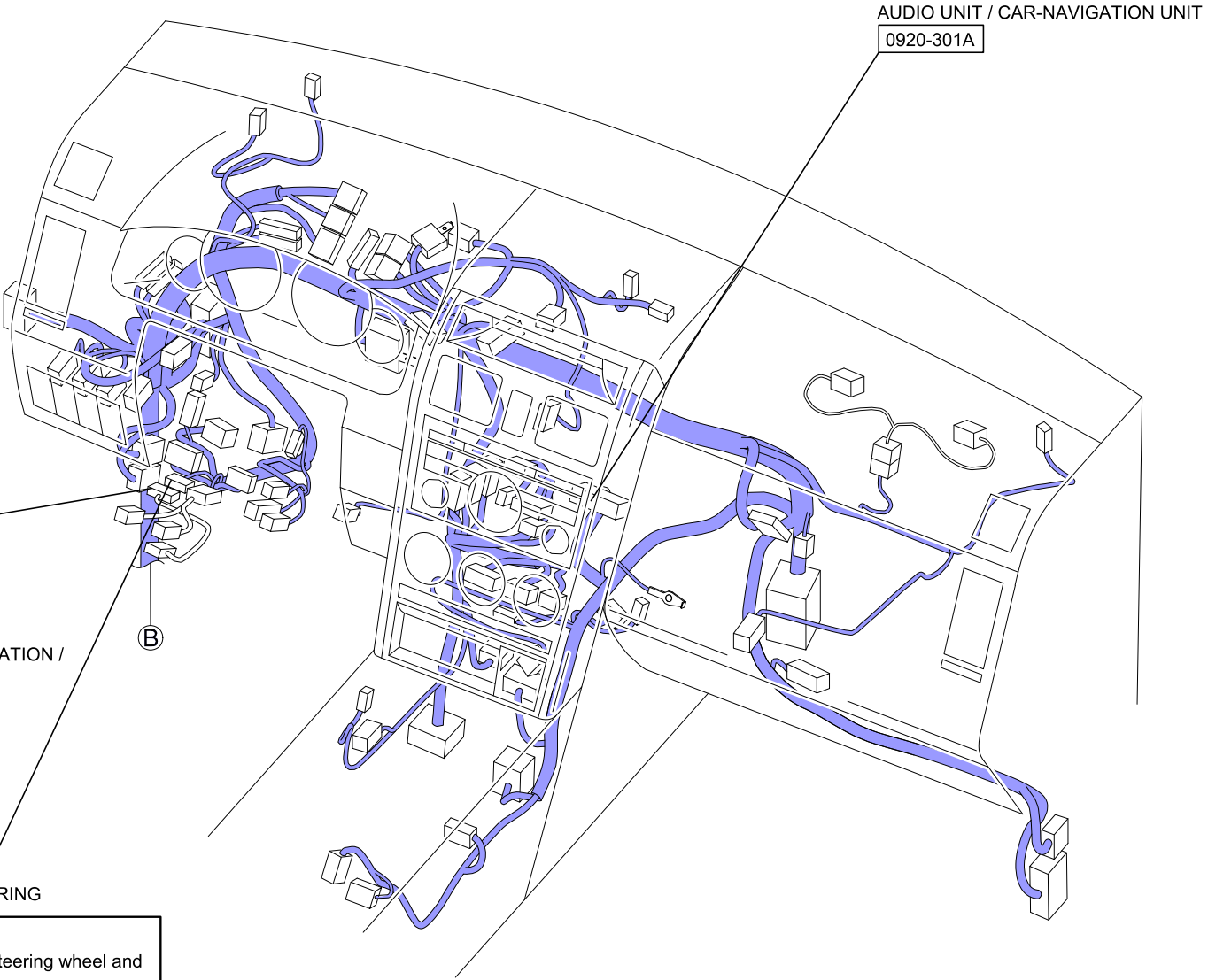
WIRE COLORS ARE INDICATED BY NUMBERS.

Steering switch (with bluetooth system)

53.064—54.136 ohms while VOL(-) switch held at on, 145.223—148.167 ohms while VOL(+) switch held at on, 297.693—303.707 ohms while SEEK(+) switch held at on, 556.083—567.317 ohms while SEEK(-) switch held at on, 1,026.333—1,047.067 ohms while MODE switch held at on, 4,986.333—5,087.067 ohms while in OFF.

Steering switch (without bluetooth system)

53.064—54.136 ohms while VOL(-) switch held at on, 145.233—148.167 ohms while VOL(+) switch held at on, 297.693—303.707 ohms while SEEK(+) switch held at on, 556.083—567.317 ohms while SEEK(-) switch held at on, 1,026.333—1,047.067 ohms while MODE switch held at on, 2,016.333—2,057.067 ohms while MUTE switch held at on, 4,986.333—5,087.067 ohms while in OFF.



AUDIO UNIT / CAR-NAVIGATION UNIT
0920-301A

0922-202
CRUISE CONTROL SWITCH /
STEERING SWITCH /
STEERING SWITCH ILLUMINATION /
CRUISE CONTROL SWITCH ILLUMINATION /
CLOCK SPRING

0922-201
CLOCK SPRING

CLOCK SPRING
Electrically connects steering wheel and
air bag to body harness.

 : INSTRUMENT PANEL HARNESS